



ITMA ASIA + CITME

SINGAPORE 2025

28 – 31 October 2025
Singapore Expo

GENERAL REGULATIONS



DESCRIPTION	DEADLINE
<p>1 • Submit Application for Admission, Rental Contract for Stand Space and Exhibitor Listing</p>	<p>12 November 2024</p>
<p>2 • Issue invoice for 20% deposit of stand space rental, for payment within 14 days</p>	<p>Upon receipt of Application for Admission and Rental Contract for Stand Space</p>
<p>3 • Issue Certificate of Admission • Issue Stand Location Notification • Online service order platform opens • Operations Centre opens • Exhibitor, installer, and contractor badge application opens</p>	<p>27 March 2025</p>
<p>4 • Issue invoice for 80% of stand space rental and 100% of open-side surcharges for payment within 14 days</p>	<p>29 April 2025</p>
<p>5 • Submit stand plans: stand design and exhibit layout (Important note: stand plan vetting fee shall be levied for submissions after the deadline - see Article A13.6.)</p>	<p>24 June 2025</p>
<p>6 • Issue invoice for double-storey stand space for payment within 14 days • Submit onsite logistics service orders • Submit compulsory and service forms, including A11 orders (Important note: orders submitted for services included under Article A11 after the deadline will be chargeable, and subject to availability.)</p>	<p>29 July 2025</p>
<p>7 • Stand Build-up Hall Opening Hours - 22 – 26 October: 0800 – 2000 hours - 27 October: 0800 – 1800 hours</p>	<p>22 – 27 October 2025</p>
<p>8 • ITMA ASIA + CITME, Singapore 2025 Exhibition Exhibitor access to halls - 28 – 31 October: 0800 – 2000 hours Visitor access to halls - 28 – 30 October: 1000 – 1800 hours - 31 October: 1000 – 1700 hours</p>	<p>28 – 31 October 2025</p>
<p>9 • Stand Dismantling Hall Opening Hours - 1 – 2 November: 0800 – 2000 hours - 3 November: 0800 – 1200 hours</p>	<p>1 – 3 November 2025</p>

Note: Information may be subject to change at the discretion of the Organiser.

GENERAL INFORMATION

Important Contacts	3
About the Venue – Singapore Expo	4

GENERAL TERMS AND CONDITIONS

A1	Organisation	5
A2	Location, Dates and Opening Hours of Exhibition	5
A3	Registration and Acceptance of All Exhibition Regulations	6
A4	Correspondence	7
A5	Exhibits Admitted	8
A6	Demonstration of Exhibits with Excessive Noise	9
A7	Prohibition on Certain Information and Promotion	10
A8	Photography, Videos, Slides, Fashion Shows and Presentations	10
A9	Admission, Invalidity of Admission and Premature Termination of Rental Contract	11
A10	Ground Floor and Double-Storey Stand Space Rental	12
A11	Services Included in the Rental Contract for Stand Space	14
A12	Payments, Refunds and Penalties Relating to Stand Space Rental Charges	15
A13	Deadlines, Payments and Penalties for Service Orders and Late Submission of Stand Plan and Exhibit Layout	16
A14	Methods and Currency Payments	17
A15	Allocation of Stand Space	17
A16	Stand Build-up and Dismantling	17
A17	Protection of Trademark and Intellectual Property Rights	18
A18	Change or Cancellation of Exhibition	19
A19	Local Laws	19
A20	Liability and Complaints	20
A21	Personal Data Protection	20
A22	Applicable Laws, Places of Jurisdiction	21
Annex I	Index of Products (IOP)	
Annex II	ITMA ASIA + CITME, Singapore 2025 Technical Regulations (TR)	
Annex III	Intellectual Property Service Regulation (IPR)	

The regulations and information in the General Regulations and annexes are subject to amendments, revisions and changes by the Organiser. **Updated as of date 15 January 2025.**

IMPORTANT CONTACTS

Show Owners

CEMATEX

Pfingstweidstrasse 102
CH-8037 Zürich
Switzerland

**The Sub-Council of Textile Industry,
China Council for the Promotion of International
Trade
CCPIT TEX**

No. 9-17 Dongjie Zhongli, Yongdingmen Nei,
Dongcheng District, Beijing, China

**China Textile Machinery Association
CTMA**

Dongyu Building, No. Jia 1, Shuguang Xili,
Chaoyang District, Beijing, China 100028

The Organiser

ITMA Services Pte Ltd

1 Tai Seng Avenue #02-07
Tai Seng Exchange Tower A
Singapore 536464

Tel: +65 6849 9368

Email: info@itma.com

Website: www.itmaasiasingapore.com

The Co-Organiser

Beijing Textile Machinery International Exhibition Co., Ltd.

Room 3203, Wing B, Dongyu (Disan Zhiye) Building
No. Jia 1, Shuguang Xili, Chaoyang Dist.,
Beijing, 100028 China

Tel: +86 10 58222655 / 58220055

Email: itmaasiacitme2@bjitme.com

Website: www.citmesingapore.com.cn

Official Travel Agent (OTA)

Burnaby Solutions Pte Ltd

1 Yishun Industrial Street
A'Posh Bizhub
#07-12
Singapore 768160

Tel: +65 6911 0855

Email: itmaasiacitme2025@burnaby-solutions.com

Website: www.burnaby-solutions.com

**ITMA ASIA + CITME, Singapore 2025
Service Team (SG25 Service Team)**

The SG25 Service Team comprises the Organisers' operations team and the following key service partners and their appointed contractors:

Tel: +65 6849 9369

Email: service@itma.com

Technical Service Provider (TSP)

Pico Art International Pte Ltd

Pico Creative Centre, 20 Kallang Avenue,
Singapore 339411

Tel: +65 6290 5938

Email: itmaasiacitme2025@pico.com

Website: www.pico.com

Onsite Logistics Contractor (OLC)

Schenker Singapore (Pte) Ltd

17 Changi South St 2
Singapore 486129

Tel: +65 9690 1569

Schenker Ltd

Fairs & Events
Mayne House, Juniper Park
Fenton Way, Basildon
Essex, United Kingdom

Tel: +39 366 900 5962

Email: itmaasiacitme2025@dbschenker.com

Website: www.dbschenker.com

Venue

Singapore Expo

1 Expo Drive
Singapore 486150

Tel: +65 6403 2160

Email: sales@singaporeexpo.com.sg

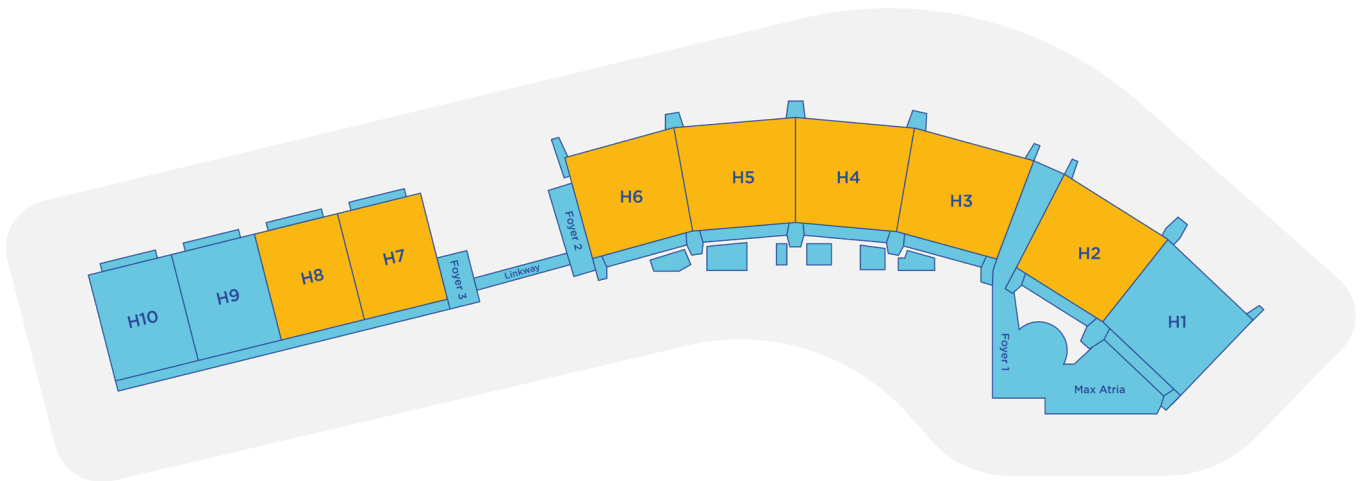
Website: www.singaporeexpo.com.sg

ABOUT THE VENUE - SINGAPORE EXPO

ITMA ASIA + CITME, Singapore 2025 Venue

ITMA ASIA + CITME, Singapore 2025 will be held in Singapore Expo. It will occupy Halls 2, 3, 4, 5, 6, 7 and 8.

The sector location plan will be published on the ITMA ASIA + CITME, Singapore 2025 website after the stand space application closes on 12 November 2024.



 Halls occupied by ITMA ASIA + CITME, SINGAPORE 2025

About Singapore Expo

Singapore Expo is Singapore’s largest purpose-built meetings, incentives, conventions and exhibitions (MICE) venue. With interconnected event spaces spanning 10 halls and 32 meeting rooms, this award-winning venue is versatile and scalable, easily accommodating business or consumer events of any size.

Singapore Expo is a 10-minute drive from Changi Airport, and 20 minutes from the city centre. It is close to three major expressways and easily accessed via public transport, with the Expo train station being an interchange for two Mass Rapid Transit (MRT) lines. The venue is supported by an extensive range of amenities, including Wi-Fi enabled network, 5G mobile coverage, and over 1,600 car park lots to accommodate visitors’ needs.

This document contains the legally binding text of the ITMA ASIA + CITME, Singapore 2025 General Regulations (“GR”). The English version of the General Regulations including all its annexes shall be the sole authentic version.

A1 Organisation

CEMATEX, Le Comité Européen des Constructeurs de Machines Textiles, is an association (Verein) set up according to Articles 60 ff. Swiss Civil Code, having its legal domicile in Zurich/Switzerland: Pfingstweidstrasse 102, CH-8037 Zürich, (hereinafter called “**CEMATEX**”). CEMATEX has members in the following countries: Belgium, France, Germany, Italy, Netherlands, Spain, Sweden, Switzerland and United Kingdom.

CEMATEX is the owner of the International Exhibition of Textile Machinery in Europe (hereinafter called “ITMA”) and of the Asian show (hereinafter called “**ITMA ASIA**”).

The Sub Council of Textile Industry, China Council for the Promotion of International Trade having its legal domicile at No. 9-17 Dongjie Zhongli, Yongdingmen Nei, Dongcheng District, Beijing, China (hereinafter called “**CCPIT TEX**”), and China Textile Machinery Association, having its legal domicile at Dongyu Building No. Jia 1, Shuguang Xili, Beijing, China (hereinafter called “**CTMA**”), these two parties (hereinafter called “Chinese Party”) are the joint owners of the current China International Textile Machinery Exhibition (hereinafter called “**CITME**”).

CEMATEX and the Chinese Party have agreed to combine ITMA ASIA and CITME to be held in the year 2025 in Singapore (hereinafter called the “**Combined Exhibition**”) bearing the title “**ITMA ASIA + CITME, Singapore 2025**”.

As joint owners of the Combined Exhibition, CEMATEX and the Chinese Party have entrusted ITMA Services Pte Ltd to organise this exhibition within the framework of these General Regulations.

As the sole Organiser of the Combined Exhibition, ITMA Services Pte Ltd (hereinafter called “Organiser”) acts in its own name and on its own responsibility and is located at 1 Tai Seng Avenue #02-07, Tai Seng Exchange Tower A, Singapore 536464.

Beijing Textile Machinery International Exhibition Co., Ltd. (hereinafter called “**Co-Organiser**”) functions as a Co-Organiser is involved in the day-to-day management of the show and provides assistance in the processing of applications of Mainland China exhibitors. Beijing Textile Machinery International Exhibition Co., Ltd. is located at Room 3203, Wing B, Dongyu (Disan Zhiye) Building No. Jia 1, Shuguang Xili, Chaoyang Dist., Beijing, 100028, China.

ITMA Services Pte Ltd and Beijing Textile Machinery International Exhibition Co., Ltd. in their capacity as Organiser and Co-organiser respectively of the Combined Exhibition, are hereinafter called the “**Organisers**”.

Except for Articles A9.6, A9.7, A12.8, A16, A17 and A21 below, CEMATEX and the Chinese Party are only and exclusively responsible for the admission and withdrawal of admission of exhibitors. In that regard, CEMATEX and the Chinese Party mandate their members and the Organiser to receive the Application for Admission and Rental Contract for Stand Space according to Article A4.

A2 Location, Dates and Opening Hours of Exhibition

ITMA ASIA + CITME, Singapore 2025 will be held at the Singapore Expo (hereinafter, the “**Venue**”).

1 Expo Drive
Singapore 486150, Singapore
Website: www.singaporeexpo.com.sg

The exhibition will be open daily to visitors:

- 28 – 30 October 2025: 1000 – 1800 hours
- 31 October 2025: 1000 – 1700 hours

A3 Registration and Acceptance of All Exhibition Regulations

A3.1 Registration for ITMA ASIA + CITME, Singapore 2025 will be made by submitting the online Application for Admission and Rental Contract for Stand Space at www.itmaasiasingapore.com.

Exhibitors shall confirm its application at ITMA ASIA + CITME, Singapore 2025 by affixing an electronic signature on the stand space application. The date of the electronically signed application under the Application for Admission and Rental Contract for Stand Space will be treated as the date of the submission of the application.

By authenticating the Application for Admission and Rental Contract for Stand Space, the applicant agrees to these ITMA ASIA + CITME, Singapore 2025 General Regulations, Index of Products and Technical Regulations, and the annexes and documents that will be made available in due course, including but not limited to the Intellectual Property Service Regulation, as well as to all other provisions issued by the Organiser.

A3.2 A separate Application for Admission and Rental Contract for Stand Space is required for each additional stand pertaining to the same exhibitor, when showing machines or solutions belonging to different chapters from the Index of Products. The applicant is not allowed to apply for more than one stand in the same chapter.

A3.3 The digital exhibitor listing will be made available on the ITMA ASIA + CITME, Singapore 2025 website with details of the exhibitors, including the full name of the company and its abbreviated name (limited to 20 characters including spaces) using English characters only, preferably in a single word, and address for the alphabetical entry. Companies applying under 'Group Application' should avoid using the same abbreviated name.

The abbreviated name will be applied on the exhibitor marketing kit, exhibition floor plan, stand location plan and exhibitor listings.

A3.4 Applicants applying after 12 November 2024 may be placed on a waitlist without guarantee of a stand, provided the payment for stand space rental fee has been made.

A3.5 CEMATEX, the Chinese Party and the Organisers have the right to ensure, through inspections, that exhibits and stand constructions of exhibitors participating in ITMA ASIA + CITME, Singapore 2025 meet the undertakings they have given (see Article A9.4 and the "ITMA ASIA + CITME, Singapore 2025 Technical Regulations").

A3.6 National associations of textile machinery and accessories are permitted to apply for space as a National Sector Group ("**NSG**") in the same chapter. Interested parties should contact the relevant organisation listed in Article A4 for detailed information and specific regulations.

A3.7 Each qualified exhibitor **MUST** display a minimum of one exhibit in connection with which it performs at least two of the following activities:

- design
- manufacture
- sale

The Organiser may request the exhibitor for documentary proof that the exhibit on display at the stand fulfills any of the above two out of three activities. The exhibitor must ensure it has the documentary proof onsite.

During exhibition opening hours, stands must be fully manned, and exhibits must be on display. For Chapter 9.5 and Chapter 16, exhibitors who are manufacturers of products with toxic ingredients may display the packaging of and/or the end products if such products are not allowed to be imported into the country where the exhibition is held. Information stands are permitted only for Chapters 18 and 19 of the Index of Products.

- A3.8 During the exhibition, build-up and dismantling periods, persons under the age of 21 shall not be admitted into the halls at all times. At the sole discretion of the Organisers, minors (aged 18 and below the age of 21) and young persons (aged 14 and below the age of 18) may be allowed as long as they fulfil the regulations stipulated in the Technical Regulations Article B8.1.

A4 Correspondence

Subject to Articles A9, A20 and A22, all enquiries related to the Application for Admission and Rental Contract for Stand Space should be directed to the respective associations and the Organiser as follows:

by Belgian exhibitors to:

Syndicaat van Belgische Textielmachinebouwers (SYMATEX)

A. Reyerslaan 80
1030 BRUSSELS
Tel: + 32 (0) 2 706 79 32
Email: info@symatex.be
Website: www.symatex.be

by Italian exhibitors to:

Associazione Costruttori Italiani di Macchinario per l'Industria Tessile (ACIMIT)

Via Tevere, 1
20123 MILANO
Tel: +39 (02) 4 69 36 11
Email: promotion@acimit.it
Website: www.acimit.it

by British exhibitors to:

British Textile Machinery Association (BTMA)

Manchester Heliport,
Liverpool Road,
Eccles
MANCHESTER M30 7RU
Tel: +44 (0) 161 707 0209
Email: info@btma.org.uk
Website: www.btma.org.uk

by Spanish exhibitors to:

Asociación Española de Constructores de Maquinaria Textil (AMEC AMTEX)

Gran Via de les Corts Catalanes 684, pral.
08010 BARCELONA
Tel: +34 (93) 4 15 04 22
Fax: +34 (93) 4 16 09 80
Email: amtex@amec.es
Website: www.solutionsfortextiles.com

by Dutch exhibitors to:

Groep Textielmachines (GTM)

Raamstraat 3
5831 AT BOXMEER
Tel: +31 (088) 400 84 94
Email: info@group-gtm.nl
Website: www.group-gtm.nl

by Swedish exhibitors to:

Textile Machinery Association of Sweden (TMAS)

P.O.Box 5510
11485 STOCKHOLM
Tel: +46 (08) 782 09 50
Email: kansliet@tmas.se
Website: www.tmas.se

by French exhibitors to:

Union des Constructeurs de Matériel Textile de France (UCMTF)

30 Rue Francois Spoerry
68100 Mulhouse
Tel: +33 (0) 7 83 58 74 23
Email: info@ucmtf.com
Website: www.ucmtf.fr

by Swiss exhibitors to:

Swissmem Textile Machinery Division (SWISSMEM)

Pfingstweidstrasse 102
CH-8037 Zürich
Tel: +41 (044) 384 41 11
Email: txm@swissmem.ch
Website: www.swissmem.ch
www.swisstextilemachinery.ch

by German exhibitors to:

VDMA Textile Machinery Association (VDMA)

Lyoner Strasse 18
60528 FRANKFURT am MAIN
Tel: + 49 (0) 69 6603 1337 or 1398
Email: itma@vdma.org
Website: www.vdma.org/textile-machinery

by Chinese exhibitors (excluding Hong Kong, Taiwan and Macau) to:

China Textile Machinery Association (CTMA)

Floor 6, Wing A, Dongyu (Disan Zhiye) Building
No. Jia 1, Shuguang Xili, Chaoyang Dist.,
Beijing, 100028
China
Tel: + 86 10 58220399 / 58220799 / 58220599 /
58221499 / 58221299 / 58221099
Email: ctma@ctma.net
Website: www.ctma.net

by exhibitors from all other countries/regions to:

ITMA Services Pte Ltd
 1 Tai Seng Avenue #02-07
 Tai Seng Exchange Tower A
 Singapore 536464

Tel: +65 6849 9368
Email: exhibitor@itma.com
Website: www.itma.com

All communications and submission of documents to the Organiser of ITMA ASIA + CITME, Singapore 2025 must be in the English language.

A5 Exhibits Admitted

Only newly manufactured products, as listed in the Index of Products and pertaining to the exhibitor, are permitted.

A5.1 The following are the approved categories of exhibits:

Chapter 1	MACHINERY FOR SPINNING PREPARATION, MAN-MADE FIBRE PRODUCTION, SPINNING, AUXILIARY MACHINERY AND ACCESSORIES
Chapter 2	MACHINERY FOR WINDING, TEXTURING, TWISTING, AUXILIARY MACHINERY AND ACCESSORIES
Chapter 3	MACHINERY FOR WEB FORMATION, BONDING AND FINISHING OF NONWOVENS AND FELTING, AUXILIARY MACHINERY AND ACCESSORIES
Chapter 4	WEAVING PREPARATORY MACHINERY, WEAVING, TUFTING MACHINERY, AUXILIARY MACHINERY AND ACCESSORIES
Chapter 5	KNITTING AND HOSIERY MACHINERY, AUXILIARY MACHINERY AND ACCESSORIES
Chapter 6	EMBROIDERY MACHINERY, AUXILIARY MACHINERY AND ACCESSORIES
Chapter 7	BRAIDING MACHINERY AND ACCESSORIES
Chapter 8	WASHING, BLEACHING, DYEING, DRYING, FINISHING, CUTTING, ROLLING AND FOLDING MACHINERY, AUXILIARY MACHINERY AND ACCESSORIES
Chapter 9	PRINTING MACHINERY, DIGITAL PRINTING, AUXILIARY MACHINERY, INKS AND ACCESSORIES
Chapter 10	GARMENT MAKING MACHINERY, OTHER TEXTILE PROCESSING MACHINERY, AUXILIARY MACHINERY AND ACCESSORIES
Chapter 11	MACHINERY FOR TEXTILE REINFORCEMENT STRUCTURES FOR COMPOSITES, AUXILLARY MACHINERY AND ACCESSORIES
Chapter 12	LABORATORY TESTING AND MEASURING EQUIPMENT AND ACCESSORIES
Chapter 13	TRANSPORT, HANDLING, LOGISTICS, STORING AND PACKING EQUIPMENT AND ACCESSORIES
Chapter 14	EQUIPMENT FOR RECYCLING, WASTE REDUCTION AND POLLUTION PREVENTION AND ACCESSORIES
Chapter 15	SOFTWARE AND AUTOMATION FOR DESIGN, DATA MONITORING, PROCESSING AND INTEGRATED PRODUCTION

Chapter 16	COLOURANTS AND CHEMICAL AUXILIARIES FOR THE TEXTILE INDUSTRY
Chapter 17	EQUIPMENT AND PRODUCTS TO ENSURE MACHINERY AND PLANT OPERATIONS
Chapter 18	SERVICES FOR THE TEXTILE, GARMENT MAKING AND OTHER TEXTILE PROCESSING INDUSTRY
Chapter 19	RESEARCH AND INNOVATION

- A5.2 If an exhibitor needs to display machines manufactured by any third party to demonstrate its own machines or accessories, these third parties must also be exhibitors of ITMA ASIA + CITME, Singapore 2025.
- A5.3 Second-hand products are not permitted in the exhibition. The exhibition and promotion, directly or indirectly, of second-hand machinery/accessories/parts/products are strictly prohibited. Any exhibitor contravening the above requirement will have its admission withdrawn with immediate effect by CEMATEX and the Chinese Party through written notice of a registered or hand-delivered letter or email stating the reasons for the withdrawal, and the Rental Contract for Stand Space between the exhibitor and the Organiser will be considered simultaneously terminated with immediate effect as stated in Article A9.4.

A6 Demonstration of Exhibits with Excessive Noise

To control excessive noise in the halls, noisy machines, in particular, are only authorised to operate for 15 minutes within each hour. This restriction applies to the following product codes:

- 3.2.1 Needle felting machines
- 3.2.2 Spunlace machines
- 4.2.1 Rapier weaving machines
- 4.2.2 Projectile weaving machines
- 4.2.3 Air jet weaving machines
- 4.2.4 Water jet weaving machines
- 4.2.5 Multiphase weaving machines
- 4.2.6 Shuttle looms
- 4.2.7 Circular weaving machines
- 4.2.8 Narrow fabrics weaving machines
- 4.3.1 Weaving machines for heavy fabrics, for paper making felts and for wire filter fabrics
- 4.3.2 Weaving machines for tyre cord fabrics
- 4.3.3 Weaving machines for glass, aramid or carbon yarns
- 4.3.4 Weaving machines for leno fabrics
- 4.3.5 Weaving machines for plush and velvet
- 4.3.6 Weaving machines for terry fabrics
- 4.3.7 Weaving machines for carpets and rugs
- 4.3.8 Label weaving machines
- 4.3.9 Sample weaving machines
- 4.4.4 Jacquards, mechanical
- 4.4.5 Jacquards, electronic
- 5.4.1 Flat warp knitting machines
- 5.4.2 Raschel machines
- 5.4.3 Multiaxial warp knitting machines, stitch bonding machines
- 6.1.2 Shuttle embroidery machines (single and multi-head)
- 6.1.3 Embroidery machines and automatic units (single head)
- 6.1.4 Embroidery machines and automatic units (multi head)
- 6.1.5 Chenille embroidery machines
- 7.1.2 Braiding machines
- 10.6.12 Sand blasting machines

The timing and procedures for the demonstration of these types of machinery will be notified to the exhibitors concerned in due course by the Organiser.

The operation of these types of machinery is restricted to **5 minutes every hour** if the stand is situated in a hall other than the one in which they should normally have been exhibited, considering their type and the product codes of the ITMA ASIA + CITME, Singapore 2025 Index of Products as declared in the Application for Admission and Rental Contract for Stand Space.

All machinery exhibited and in operation exceeding 70 dB must have in-built volume regulators and/or noise diffusers; and provide silencers, ear plugs or ear defenders to the participants at the stand.

A7 Prohibition on Certain Information and Promotion

A7.1 The following forms of information and promotion are **strictly prohibited**:

- Distribution of printed information pertaining to the exhibitor's products outside the stand. All activities (including the distribution of samples and souvenirs) must be carried out exclusively within the exhibitor's own stand area. Excluded from this restriction is advertising in the ITMA ASIA + CITME, Singapore 2025 official channels and materials, as provided by the Organiser.
- Competitions, contests, prize draws and similar promotional activities.
- Any kind of advertising activities in favour of non-exhibiting companies or organisations except under the following circumstances:
 - Exhibitors receiving support from non-commercial trade and industry organisations/ government agencies may display the logos or names of these organisations at their stands. Supporting documents must be submitted during stand plan submission.
 - Exhibitors are allowed to display their parent, daughter and/or customer logo/name if their parent, daughter and/or customer are not eligible to exhibit at ITMA ASIA + CITME, Singapore 2025.

A7.2 If an exhibitor wants to use the name of another exhibitor or the name of a product of another exhibitor on his stand, this should be subject to prior written approval by the other exhibitor concerned. The SG25 Service Team will take appropriate measures if complaints are received.

A7.3 Except for machinery demonstrations, the environmental noise level measured at the stand perimeter should not exceed 70 dB.

The SG25 Service Team is entitled to prohibit all kinds of performances which cause noise, visual disturbance, dirt, dust, vibrations or other emissions or for other reasons that constitute a significant disturbance to the exhibition or its participants.

This prohibition will be exercised despite an exhibitor having received prior approval.

The SG25 Service Team is entitled at the risk and expense of any exhibitor to access their stands to remove, cover up or otherwise prevent advertising violating the above regulations.

A8 Photography, Videos, Slides, Fashion Shows and Presentations

A8.1 Exhibitors are allowed to stage on-stand fashion shows and similar activities in accordance to the following rules

- Exhibitors must ensure that the audience do not stand in the aisles when viewing a show.
- Exhibitors must ensure that a viewing area of sufficient size is incorporated into the stand design to avoid the possibility of the audience standing in the aisles.
- The maximum number of persons that may be accommodated in the audience space shall be calculated in relation to the area utilised at the rate of 1.5 square metres per person.
- The space for the audience at the stand must have exits that guide people directly to a gangway that terminates at a hall exit.
- Any machinery exhibits adjacent to the audience area must be switched off during the performance of the show.

- Acoustic promotional devices with loud speakers must have in-built volume regulators and/or noise diffusers; and when in operation must not exceed 70 dB.
- Each show will be restricted to a 15-minute duration and no more than four shows per day.
- Exhibitors must submit full production plans for shows to the SG25 Service Team by 24 June 2025 for approval and confirmation. The plans must include lighting plots, sound track details, celebrity attendance and running orders.
- Exhibitors must also ensure compliance with all other rules and regulations contained within the ITMA ASIA + CITME, Singapore 2025 Technical Regulations.

During the show, hall managers will carry out regular checks to ensure exhibitors comply fully with the regulations and do not unreasonably disturb either visitors or neighbouring stands.

The Organiser's decision on any issue concerning the regulations will be final. Failure to comply with the regulations will ultimately result in the infringer's stand power supplies being terminated.

- A8.2 CEMATEX, the Chinese Party and the Organisers are entitled to have photographs, drawings, films, audio recordings and video recordings made of ITMA ASIA + CITME, Singapore 2025 stands, exhibitors' image/likeness and exhibits and they are entitled to use them for advertising, or general press publications, or for archival and promotional purposes of the Combined Exhibition, in any and all media without the affected exhibitors being entitled to establish any rights, compensation or credit whatsoever. In this regard, the voice and image data will be processed according to Article A21.
- A8.3 Under no circumstances should the exhibitors take photographs or images and make recordings of any nature of other exhibitors' stands. In the event that this article is infringed, the Organiser is at liberty to require the surrender of all such materials and/or take legal measures against the exhibitors at fault.

A9 Admission, Invalidity of Admission and Premature Termination of Rental Contract

- A9.1 CEMATEX and the Chinese Party will jointly decide whether an applicant is admitted to ITMA ASIA + CITME, Singapore 2025
- A9.2 CEMATEX and the Chinese Party will inform all applicants in writing on or after 27 March 2025 whether they are admitted to ITMA ASIA + CITME, Singapore 2025. In case an applicant is not admitted, CEMATEX and the Chinese Party will inform the applicant accordingly by email, stating the reasons.
- A9.3 Assignment of the admission rights to third parties is not permitted.
- A9.4 In case of an infringement of Article A3.5, A5 or A17 of the General Regulations, the admission given to an applicant will be withdrawn by CEMATEX and the Chinese Party. This also refers to cases in which the admission prerequisite has never existed or no longer exists. CEMATEX and the Chinese Party will jointly inform such an exhibitor accordingly, by email to the address provided by the exhibitor in Section 1b of the Application for Admission and Rental Contract for Stand Space, stating the reasons for withdrawal. In such a case, the Rental Contract for Stand Space between the exhibitor and the Organiser is also considered simultaneously terminated with immediate effect.

If such an infringement occurs during stand build-up or opening hours of the exhibition, a warning will be issued to the exhibitor by CEMATEX and the Chinese Party (in writing, by hand-delivered letter), requesting that the necessary steps be taken to comply with the regulations. After having received a second warning (in writing, by hand-delivered letter), should the exhibitor continue to contravene the rules, the Organiser will cut the power to the stand and will close it down if CEMATEX and the Chinese Party withdraw their admission to the exhibitor.

- A9.5 If the applicant or exhibitor does not accept the decision of CEMATEX and the Chinese Party concerning non-admission or withdrawal, he must appeal to CEMATEX and the Chinese Party via email or by registered letter and such correspondences must be received by CEMATEX and the Chinese Party within 14 days of receiving notification of the decision by CEMATEX and the Chinese Party, stating the reasons for non-acceptance. Should the applicant or exhibitor fail to appeal within the said period, then it will be deemed that the applicant or exhibitor has accepted the decision of CEMATEX and the Chinese Party.

- A9.6 The Rental Contract for Stand Space between the Organiser and the exhibitor will be deemed as concluded when allocation of the stand space is advised by the Organiser to the exhibitor pursuant to the terms of Article A15. The Rental Contract for Stand Space will be terminated with immediate effect, and the admission will be considered as withdrawn simultaneously by the Organiser by hand-delivered letter on site or email, stating the reasons for termination and withdrawal if the exhibitor fails to fulfil any of his obligations arising from the General Regulations and, particularly, Article A17 (Protection of Trademark and Intellectual Property Rights), the Rental Contract for Stand Space, Technical Regulations or other provisions issued by the Organiser, including payment terms. No refund will be made for the sums already paid. Invoices issued before the date on which the Rental Contract for Stand Space is terminated by the Organiser shall, notwithstanding such termination, be paid in full as stipulated under Article A12.
- A9.7 CEMATEX jointly with the Chinese Party shall reserve the right to refuse an exhibitor admission to future ITMA ASIA and CITME branded events, and CEMATEX shall reserve the right to refuse an exhibitor admission to any future ITMA branded events if the said exhibitor infringes any of the rules and regulations of ITMA ASIA + CITME, Singapore 2025.
- A9.8 Applicants who did not exhibit at ITMA 2023 and/or ITMA ASIA + CITME 2022 must submit relevant brochures detailing their products when they submit the Application for Admission and Rental Contract for Stand Space.

A10 Ground Floor and Double-Storey Stand Space Rental

A10.1 Ground Floor Stand Space Rental

The basic stand space rental charge for ground floor stands with only one side open is Singapore Dollars (SGD) 535 plus Goods and Services Tax (GST) if applicable, per square metre. The length in metre of any dimension of the stand space applied for must be a whole number.

The following surcharges will apply to stands of all sizes with more than one open sides:

Stand Space in Square Metres	Stand Space in Square Metres		
	2	3	4
First 50 square metres	+20%	+33%	+50%
Next 50 square metres	+10%	+16.5%	+25%
Surface over 100 square metres	0%	0%	0%

Surcharges for open sides are only charged on the first 100 square metres of every stand space, and there are no surcharges imposed on additional space taken on the same stand. Open-side surcharges will be based on the number of sides allocated to the exhibitor by the Organiser.

Example

A stand space of 250 square metres and 4 open sides will be invoiced as follows:

- First 50 square metres SGD535 + 50% = SGD40,125
- Next 50 square metres SGD535 + 25% = SGD33,437.50
- Balance 150 square metres x SGD535 = SGD80,250
- Total amount due: SGD153,812.50 (plus GST, if applicable)

The minimum stand space is 15 square metres per exhibitor, except for products pertaining to Chapters **18.1 and 19**, where the minimum stand space area is 9 square metres.

Subletting or assignment of the stand space wholly or partly to third parties is not permitted.

A10.2 Double-Storey Stand Space Rental

Double storeys are permitted on stands which have a minimum ground floor space of 90 square metres. The second storey area shall not exceed 50% of the ground floor area. All double storey stands must be endorsed by a Singapore Professional Engineer.

The minimum length of any dimension of the ground floor space must be 5 metres.

The second storey stand space (see ITMA ASIA + CITME, Singapore 2025 Technical Regulations for specific conditions and dimensions) will be invoiced at 50% of the basic rental charge (i.e. SGD267.50 per square metre, plus GST, if applicable). The charge for any fraction of a square metre will be charged as for a full square metre.

The ground floor stand space underneath will be invoiced at the standard SGD535 per square metre (plus GST, if applicable). The second storey is not subject to open-side surcharges, but is subject to all penalties, payment terms and conditions, as well as surcharges as stated in Article A12.

Example (with reference to above case)

A stand with space of 250 square metres (ground floor) and 90 square metres (second storey) with 4 open sides will be invoiced as follows:

- Total amount due for ground floor space = SGD153,812.50
- 90 square metres of second storey stand space x SGD267.50 = SGD24,075
- Total amount due: SGD177,887.50 (plus GST, if applicable)

A10.3 Payment Methods and Currencies for Stand Space Rental Fees

Stand space rental payment (includes double-storey stand space rental, if applicable) shall be made in the currency stipulated on the invoice or payment request statement by bank transfer.

Exhibitors can find the payment details in the Invoice/Notice of Payment that can be downloaded from the Exhibitor Centre.

Stand space rental for exhibitors from CEMATEX countries and other countries/regions

These exhibitors may remit their stand space rental payments in Singapore Dollars (SGD) to the following bank account:

Account Name/Beneficiary : ITMA Services Pte Ltd
Bank Account Number : 0000104251300281SGD
Beneficiary Bank : BNP Paribas, Singapore Branch
(Swift Address: BNPASGSG)
Bank Address : 20 Collyer Quay, #01-01, Singapore 049319
Correspondent Bank : Monetary Authority of Singapore
Singapore (Swift Address: MASGSGSG)

Exhibitors must ensure that they pay all bank charges, and taxes (only applicable for Singapore registered companies) relating to payment made for all stand space rental.

Stand space rental for exhibitors from Mainland China

This clause is only applicable to exhibitors from Mainland China. These exhibitors may remit their stand space rental payments in Chinese Yuan (RMB) to the following bank account:

Account Name/Beneficiary : Beijing Textile Machinery International Exhibition Co., Ltd.
Account number : 110060746018180001731
Beneficiary Bank : Bank of Communications Beijing Branch

Exhibitors paying in RMB will be charged an equivalent of SGD535 based on the closing exchange rate of the previous working day of the China Foreign Exchange Trade System at the time and date of notice of payment. The notice of payment amount is subject to a 6% China VAT, collected by BJITME.

A11 Services Included in the Rental Contract for Stand Space

The following services are included in the stand space rental charge (hereinafter, the “**Services (Article A11)**”):

1. Handling of exhibits within the venue during build-up and dismantling, including unloading/loading of trucks, delivery to the stand and one-time positioning of machinery at the stands in accordance to the exhibitor’s exhibit layout and similar handling services after the exhibition. Cranes, forklift trucks or other hoisting equipment for the assembly and dismantling of exhibits on the exhibition site will be provided.

Note: Handling of stand-fitting materials is not included and will be invoiced separately by the Onsite Logistics Contractor.

2. Payment of fees for customs clearance handling for shipments consigned to the Onsite Logistics Contractor.
3. Insurance of exhibits against normal exhibition risks as defined by the insurance policy carried by the Organiser, including fire risks and third-party liability. This insurance policy will be made available in the Exhibitor Centre before 29 July 2025.
4. One power connection for every 200 square metres of ground stand space, each terminating at an isolator switch, up to a maximum of 5 connections per stand (e.g. for a 500-square-metre stand space, the entitlement is 2 connections).
5. One 13A 24-hour single-phase power connection terminating in a plug socket for domestic use during the exhibition (to enable exhibitors to run standard office equipment such as fridges, computers etc.).
6. Consumption of electricity for machinery, lighting and domestic use during hall opening hours. Exhibitors who require electricity supply outside of these hours will need to submit an order and pay for a 24-hour supply.
7. Consumption of water for the operation of machinery exhibits, and water for stand use during hall opening hours. Exhibitors who require water supply outside of these hours will need to contact the Technical Service Provider.
8. Conveyance and covered storage of exhibitors’ empty packing materials.
9. Conveyance and covered storage of auxiliary devices and materials, as well as all materials required for and produced during demonstrations.
10. Removal of fabric waste generated during demonstrations. Excluded are wastes that require special supervision (see ITMA ASIA + CITME, Singapore 2025 Technical Regulations), stand structures, stand elements, floor coverings, machinery and parts of machinery. Stand building waste materials generated during build-up and dismantling must be disposed of by the exhibitors’ stand contractors.
11. Daily basic cleaning of stands: sweeping of floor and emptying of waste paper baskets (provided by the exhibitors).
12. One exhibitor entry (including company name, address, telephone, email, website address, product codes, hall and stand numbers) in the digital Exhibitor Listing on the ITMA ASIA + CITME, Singapore 2025 website.
13. Exhibitor badges (the number of badges is based on size of ground stand space area).
14. Parking passes, valid from 28 to 31 October 2025 from 0800 to 2000 hours. For every 100 square metres of stand space, exhibitor may apply one parking pass per passenger vehicle, up to a maximum of 3 parking passes (e.g. 500-square-metre stand space entitlement: 3 parking passes).
15. Visitor badges (the number of badges is based on ground stand space area).
16. Wi-Fi access for personal devices available from 28 to 31 October 2025.
17. Music copyright licensing - applicable to pre-recorded music and video used during exhibition hours.

Important: After the stipulated deadlines, exhibitors shall place their service orders directly online or onsite, and make payment to the respective appointed service partners.

The Organiser or the appointed service partners reserve the right to invoice exhibitors for additional costs incurred through:

- Non-observance of scheduled delivery dates
- Changes to the original layout plan of the machinery
- Absence of company staff charged with taking delivery of materials that are unloaded at the stand
- Additional orders beyond entitlements, which are chargeable

Services not included

Services not mentioned in Article A11 are not included in the stand space rental charge. Information on charges for additional services and payment methods, is available online. These additional services shall be ordered through the Organiser or the respective service partners via the Exhibitor Centre.

A12 Payments, Refunds and Penalties Relating to Stand Space Rental Charges

A12.1 Deposit of 20%

A deposit of 20% of the stand space rental charge i.e. SGD107 plus GST, if applicable per square metre of space applied for must be remitted within 14 days from the date of the invoice.

Application for Admission and Rental Contract for Stand Space will not be confirmed or processed until the 20% payment has been paid and cleared in the bank of the Organisers. The date on the proof of bank transfer statement will be treated as the date on which the Application for Admission and Rental Contract for Stand Space is received.

A12.2 Balance Payment of 80% Stand Space Rental, Double-Storey Stand Space Rental and Surcharges

The invoice for the 80% balance of the stand space rental plus the open-side surcharges will be issued by 29 April 2025, and payment must be made within 14 days.

The invoice for double-storey stand space will be issued by 29 July 2025, and payment must be made within 14 days.

Stand space rental payment including double-storey stand space charges and open-side surcharges will be based on the final space allocated.

The payment terms will be **'Immediate'** after the stipulated deadlines.

A12.3 Non-Admission

If the applicant is not admitted to the exhibition in accordance with Articles A9.1 and A9.2, the deposit of 20% will be refunded, based on the actual amount received less any outward remittance bank charges incurred by the Organisers, if any.

A12.4 Total Withdrawal of Participation before 29 April 2025

The exhibitor or applicant must notify the Organiser before 29 April 2025 in writing, in the event of a total withdrawal from the participation of ITMA ASIA + CITME, Singapore 2025. No refund will be made for the sum already paid, including the 20% deposit. Exhibitors who withdraw on or after 29 April 2025, are liable for the full payment of all invoices issued.

A12.5 Stand Space Reduction on or before 27 March 2025 – Less than 20%

If the stand space reduction made on or before 27 March 2025 is less than 20% of the stand space first applied for by the exhibitor, a full refund in proportion to the stand space reduction will be made for the sum already paid. Such refund will be offset towards subsequent invoices. Full payment must be made on invoices issued before the date on which the exhibitor's official notification of the stand space reduction is received by the Organiser. For any subsequent reduction resulting in the total reduction being greater than 20%, Article A12.6 shall apply.

A12.6 Stand Space Reduction on or before 27 March 2025 – 20% and Greater

If the stand space reduction on or before 27 March 2025 is equal to or greater than 20% of the stand space applied for by the exhibitor, no refund will be made for the sums already paid. Invoices issued before the date on which the exhibitor's official notification of space reduction is received by the Organiser are to be paid in full. Later invoices will then only be accounted towards the space kept.

A12.7 Stand Space Reduction after 27 March 2025

No refund will be made for the sums already paid and for invoices issued before the date on which the exhibitor's official notification of stand space reduction or withdrawal is received by the Organiser.

A12.8 Penalties

Notwithstanding the regulations in Article A12.1, the stand space rental charges including double-storey stand space, open-side surcharges and other relevant charges as stated above must be paid in full before the exhibitor may access the halls. In the case of invoices not paid by the stipulated deadlines in Articles 12.4, 12.5, 12.6 and 12.7, the exhibitor is obliged to pay the outstanding invoices in full.

If the stand space rental balance (basic stand space rental and open-side surcharges) is not paid by the stipulated deadline, the Organiser reserves the right to re-allocate the space to other exhibitors, and the initial deposit paid will be forfeited. The Organiser will notify the exhibitor via email or by registered letter, stating the reason, which constitutes simultaneously a withdrawal of admission and termination of the Rental Contract for Stand Space by the Organiser.

If an exhibitor fails to pay the outstanding balance of invoices relating to its withdrawal at any past ITMA or ITMA ASIA (including ITMA ASIA + CITME) exhibition, the Organiser may insist on a 100% stand space rental payment with the Application for Admission and Rental Contract for Stand Space for this or future ITMA and ITMA ASIA (including ITMA ASIA + CITME) branded events. In such cases, CEMATEX, the Chinese Party and the Organisers each also reserves the right to refuse the exhibitor admission to this or any future ITMA and ITMA ASIA (including ITMA ASIA + CITME) branded events.

A13 Deadlines, Payments and Penalties for Service Orders and Late Submission of Stand Plan and Exhibit Layout

A13.1 Service Forms

Services will be available for online ordering and payment from 27 March 2025. All relevant technical and non-technical service forms, including the Services included in the stand space rental fee (Article A11) must be submitted and paid by 29 July 2025 (hereinafter, the "Service Order Deadline").

A13.2 Entitlement

The service forms for the entitlements stated in the Services included in the stand space rental fee (Article A11) must be submitted by the stipulated deadline. **Forms received after the deadline are chargeable and stock availability is not guaranteed.** The Organiser cannot be held responsible for losses resulting from the non-availability of stocks.

A13.3 Full Payment of Services

All services must be paid in full (net of bank charges) by the stipulated deadlines in Article A13 before the exhibitor may access the halls or before the services will be delivered to the stand.

A13.4 Early Bird Pricing

Exhibitors will enjoy early bird price on service orders received and paid on or before the deadline of 29 July 2025. Thereafter, the standard price for all services shall apply and subject to the availability of stock.

A13.5 Refund Policy

For all paid services cancelled on or before the Service Order Deadline, exhibitors will receive a full refund less any outward remittance bank charges. There will be no refund if cancellation is made after the deadline.

A13.6 Late Submission of Stand Plan

All exhibitors must submit their stand plans (stand design and exhibit layout) by the deadline of 24 June 2025. Should the exhibitors submit their stand plan after the deadline, a stand space plan vetting fee of SGD100 shall be levied for each piece of the stand plan. The Technical Regulations (see Article B7 and B8) stipulate that move-in and stand build-up onsite can only commence after obtaining approval of the plans.

A14 Methods and Currency Payments

A14.1 Payments must be made in the currency stipulated on the invoice or Notice of Payment:

Space Rental	Services - Pre-site Order	Services - Onsite Order
Bank Transfer	Bank Transfer	Credit/Debit Card
	Credit/Debit Card	

A14.2 A handling fee applies for payment by credit card and debit card. Payment by bank transfer shall be net of all bank charges. Exhibitors must ensure that they pay all bank charges and taxes relating to bank transfers and clearing of bank drafts.

A15 Allocation of Stand Space

A15.1 The Stand Location Notification, which also constitutes the conclusion of the Rental Contract for Stand Space between the exhibitor and the Organiser, will be advised by the Organiser in its capacity as lessor to the exhibitor by 27 March 2025. The exhibitor will receive details of the location, the number of open sides, the dimensions of the stand space, the hall and stand number. The exhibitor shall accept the stand space allocated to him even if the location and/or dimensions and/or open sides are different from those which the exhibitor has requested. The exhibitor's preferences regarding the location are not binding upon the Organiser.

A15.2 The Organiser reserves the right to change the stand space location, number of open sides or its dimensions, if circumstances make this necessary, and no claim for damages can be made against the Organiser because of such changes.

A.16 Stand Build-up and Dismantling

A16.1 Stand Build-up

Hall Opening Hours

	Stand Build-up		Exhibition Period		Dismantling	
Date (2025)	22 - 26 October	27 October	28 - 29 October	31 October	01 - 02 November	03 November
Start (hrs)	0800	0800	0800	0800	0800	0800
End (hrs)	2000	1800	2000	2000	2000	1200

Exhibitors who need to work outside of these hours, except on 27 October 2025, must apply onsite by 1400 hours on the day concerned.

Construction MUST be completed by 1800 hours on 27 October 2025, after which no work will be permitted.

All delivery and stand construction vehicles must be removed from the halls and from the loading areas by 1800 hours on 27 October 2025. Vehicles that stay beyond the time allowed will be removed by the Onsite Logistics Contractor at the risk and expense of the exhibitors concerned.

If an exhibitor's stand construction has not started by 1200 hours on 27 October 2025, it is deemed that the construction could not be completed by 1800 hours on 27 October 2025. The Organiser reserves the right, after giving prior notice in writing, to terminate the exhibitor's participation and to make other use of the stand space without any compensation or refund to such exhibitor. The Organiser will notify the exhibitor via email, or letter (hand-delivered or registered) to the exhibitor, stating the reasons, and such a correspondence will constitute simultaneously a withdrawal of admission and termination of the Rental Contract for Stand Space by the Organiser. Such action will not relieve the defaulting exhibitor of his liability for the stand space rental charge, services and installations provided, and no refund shall be given.

A16.2 Stand Dismantling

Stands may be dismantled only from 0800 hours onwards on 01 November 2025. Hand-carried items (accessories, computers, advertising documents, etc) can be removed from the stand on 31 October 2025 from 1700 hours to 2000 hours.

Stand dismantling must be completed and the stand space restored to its original state by 1200 hours on 3 November 2025. Any material still on the stand space after this deadline will be removed and disposed of by the Organiser. The Performance Bond (Technical Regulations Article B6) will be applied to all costs incurred for the above, as well as the risks of theft, loss and damage will be borne by the exhibitor and/or stand contractor. In the case of non-payment, any outstanding amount must be fully paid up before the errant exhibitor can be admitted to future events.

A17 Protection of Trademark and Intellectual Property Rights

- A17.1 CEMATEX and Chinese Party are the registered owners of the ITMA and CITME trademarks and domain names, respectively. All exhibitors shall ensure they do not infringe, and they do not authorise, directly or indirectly, or permit any other party to infringe CEMATEX's and the Chinese Party's trademark and domain name rights in any way for any purpose, in particular, but not exclusively, through their exhibits on display, their advertising materials, their graphics or through any other means or supporting materials.
- A17.2 Exhibitors must not infringe or otherwise violate, directly or indirectly, seek to infringe and/or violate the intellectual property rights of other exhibitors and of third parties, such as patents, trademarks, copyrights, etc, when displaying their products at ITMA ASIA + CITME, Singapore 2025 in accordance with current provisions of law. All necessary measures shall be taken by the exhibitor before displaying his products.
- A17.3 CEMATEX, Chinese Party, the Organisers and the Venue are exempt from any liability in connection with the infringement or other violation of intellectual property rights by an exhibitor. The exhibitor shall indemnify and hold CEMATEX, the Organisers and the Venue harmless in case of any such infringement or other violation. As part of the Rental Contract for Stand Space, each exhibitor shall agree to a legally binding statement confirming that he will not infringe the trademark and intellectual property rights of another exhibitor or third parties and promising to indemnify CEMATEX, Chinese Party, the Organisers and the Venue in case of any such infringement.
- A17.4 The Organiser will establish an onsite secretariat for the "Intellectual Property Service Regulations" which will be provided in a separate document by 27 March 2025 (hereinafter, the "IPR"). The onsite IPR secretariat will operate from 27 to 31 October 2025, and will offer the following services:

- Inform exhibitors about the content and features of intellectual property rights, as well as the available means to protect themselves against any potential infringement in accordance with the relevant laws of Singapore;
- Enable a fast and effective ascertainment of cases of infringement or piracy at ITMA ASIA + CITME, Singapore 2025. (This service will include the collection of evidence of possible infringements, which could otherwise be obtained only through onerous legal proceedings (called “description proceedings”), which often cannot produce the desired effects. Such a service implies, upon request by any party, a photographic identification of items that are alleged as infringing intellectual property rights, and the issuing of a relevant report concerning the ascertainment of the presence of such items in the stand of the alleged counterfeiter); and
- Upon the exhibitor’s request, give cause to an arbitration proceeding for preliminary evaluation of the infringing nature of a product and, should the infringement be ascertained by the arbitration panel, execute the order of removal and/or of “coverage” of said product from the exhibition area, with physical retention of a sample of the goods for evidence collection purposes and, in case of failure to comply with such an order, the compulsory enforcement of the above-mentioned order. The arbitration proceeding is a chargeable service.

Further details on the Intellectual Property Service Regulation and the procedure of filing complaints and/or starting an arbitration proceeding procedure in Singapore will be available at the Exhibitor Centre by 27 March 2025.

- A17.5 If it is ascertained by judgement through arbitration ruling under IPR that an exhibitor has infringed the intellectual property rights of another exhibitor or of a third party in any way, then the Organiser will be entitled, although not obliged to, at its own discretion, ask for the removal of the infringing exhibits, printed papers, advertising materials, graphics and any other material from the infringing exhibitor’s stand, and to store them away at the cost of the exhibitor until the end of ITMA ASIA + CITME, Singapore 2025.
- A17.6 For an exhibitor infringing the regulation for the first time, the Organiser shall notify the errant exhibitor by email informing him of the consequences. The Organiser reserves the right to enforce Article A9.4 and the errant exhibitor shall be banned from taking part in the next ITMA, ITMA branded and CITME event. In such cases, the Organiser is also entitled, although not obliged, to terminate the Rental Contract for Stand Space between the Organiser and the infringing exhibitor and therefore also to withdraw the infringing party’s admission via email, stating the reasons for termination and withdrawal (see Article A9.6). No refund will be made of payments already made. If such measures prove to be unjustified, no claim for damages can be made against the Organiser or the Venue, unless such parties are proven guilty of gross negligence or unlawful intent.
- A17.7 If the said exhibitor is found to have infringed the trademark, domain name or the intellectual property rights of CEMATEX, the Chinese Party, the Organisers, other exhibitors and/or third parties, Article A9.7 shall apply.

A18 Change or Cancellation of the Exhibition

- A18.1 In cases of force majeure, the dates and place of ITMA ASIA + CITME, Singapore 2025 may be changed, or the exhibition may even be cancelled by the Organiser in agreement with CEMATEX and the Chinese Party. If the exhibition does not take place, the amounts paid to the Organisers for stand space rental will be refunded, after deduction of all ITMA ASIA + CITME, Singapore 2025 exhibition costs incurred or already committed, in proportion to the amount paid by each exhibitor. No claims for compensation for damages, loss of profits or other consequential damages, irrespective of the nature or reason, can be lodged against the Organisers and/or CEMATEX and the Chinese Party.

A19 Local Laws

- A19.1 The Organiser will exercise to apply and enforce the laws of Singapore throughout the exhibition site and will be entitled to take the necessary measures in the case of non-observance of the various rules and regulations.

- A19.2 Exhibitors are under the obligation to comply with all Singapore rules and regulations, particularly those concerning the prevention of fire, occupational hazards, health and safety at work, and/or other accidents or damages.
- A19.3 The provision of these General Regulations including annexes, in particular, but not exclusively the ITMA ASIA + CITME, Singapore 2025 Technical Regulations, will prevail over the Singapore rules and regulations wherever applicable.

A20 Liability and Complaints

- A20.1 Except in case of unlawful intent or gross negligence, CEMATEX, the Chinese Party, the Organisers and the Venue are excluded from any liability for any kind of damage the exhibitor may incur directly or indirectly. Subject to the laws of Singapore, CEMATEX, the Chinese Party, the Organisers and the Venue exclude any liability for any kind of damage the exhibitor may incur directly or indirectly by acts carried out by auxiliary persons of CEMATEX, the Chinese Party, the Organisers and the Venue. In particular, but without limitation, CEMATEX, the Chinese Party, Organisers and the Venue are exempt from any liability in direct and/or indirect connection with the infringement or other violation of intellectual property rights by an exhibitor.
- A20.2 Except in cases of unlawful intent or gross negligence, the liability of the Organiser is limited to payments as covered by insurance stipulated in the ITMA ASIA + CITME, Singapore 2025 Technical Regulations and its document regarding insurance coverage.
- A20.3 If the exhibitor does not comply with the stand construction regulations stipulated in the General Regulations and its annexes, the exhibitor shall be liable for any damage resulting from the violation of these regulations. The Organiser or the Venue shall recover such damages from the exhibitor. The Organisers, Venue, Chinese Party and CEMATEX shall also be exempt from all claims by third parties that may be asserted due to violation of the stand construction regulations.
- A20.4 In any case, the Organisers shall under no circumstances have any liability for indirect losses, loss of profits, business revenue, goodwill or anticipated saving or consequential losses or damages, or for any loss of or damage to any individual, property or vehicle left in the exhibition venue by the exhibitor, its employees or representatives
- A20.5 For the sake of clarity, the Venue, its legal representatives, servants or employees, and the Venue's suppliers or subcontractors are deemed to be third parties, alien to the Organiser.
- A20.6 The exhibitor must lodge any complaint in writing against the Organisers or CEMATEX and/or Chinese Party immediately. Complaints concerning the construction of stands and the infringement of various regulations by other exhibitors must be reported at the same time with a copy to the SG25 Service Team. Lawsuits will be filed in accordance with Article A22.

A21 Personal Data Protection

- A21.1 CEMATEX and Chinese Party are joint owners of the data and are entitled before, during and after ITMA ASIA + CITME, Singapore 2025 to process any and all data regarding an exhibitor and/or visitor that they receive within the framework of ITMA ASIA + CITME, Singapore 2025.
- A21.2 The processing of the data means in particular but not exclusively any operation inside or outside of Switzerland, Singapore and People's Republic of China with regard to the received personal data regarding an exhibitor and/or visitor, irrespective of the means and procedures applied, in particular, to the gathering, storage, use, amendment, disclosure and transfer to third parties or destruction of the received personal data regarding an exhibitor and/or visitor.
- A21.3 The data may be used only within the objects of CEMATEX's by-laws and the Chinese Party, i.e. for the preservation and promotion of the general interest of the textile machinery industry at international level, and therefore in particular, but not exclusively, for promoting ITMA ASIA + CITME, Singapore 2025 and any other ITMA branded events worldwide (including ITMA ASIA + CITME), for the ITMA ASIA + CITME, Singapore 2025 exhibitor listing (see Article A3.3), website, and for any other legal activity of CEMATEX.

- A21.4 The data will be retained for ten years. By accepting the ITMA ASIA + CITME, Singapore 2025 General Regulations and Privacy Policy, all applicants and exhibitors shall give their consent to the treatment of their personal data and to its storage and processing, as well as to the pre-population of the data used by the Organisers for future ITMA, ITMA ASIA + CITME and ITMA related events.
- A21.5 The Organisers will process the personal data obtained from exhibitors and/or visitors exclusively for the management and the organisation of ITMA ASIA + CITME, Singapore 2025 in strict compliance with the laws applicable to the organisation and execution of the ITMA ASIA + CITME Singapore, 2025. The exhibitors and/ or visitors give their consent that such personal data can be shared with the appointed service vendors and national associations as listed in Article A4, located in and outside of the European Economic Area, as data processors for providing technical and onsite service support relating to management of the Venue and/or any connected services to support the realisation of ITMA ASIA + CITME, Singapore 2025. These data processors warrant the same level of protection as provided by the EU General Data Protection Regulation. Exhibitors and/or visitors whose data have been collected are entitled to information and disclosure and rectification of the collected data, as well as all other protection rights granted by the applicable regulations). Any request relating to personal data collected by the Organisers shall be submitted to the address provided in Article A1 to the attention of the Organiser's data protection officer.
- A21.6 If exhibitors do not wish to receive any promotional materials, including those sent by electronic means, related to ITMA ASIA + CITME, Singapore 2025 and future ITMA branded events, please email the Organiser at itmadata@itma.com.
- A21.7 All data protection in relation to ITMA ASIA + CITME, Singapore 2025 shall be governed by the Personal Data Protection Act 2012 of Singapore.

A22 Applicable Laws, Places of Jurisdiction

A22.1 CEMATEX, CEMATEX and Chinese Party jointly (Admission/Withdrawal)

Any dispute, controversy or claim between an exhibitor or the Organisers or any member of CEMATEX on the one side and CEMATEX and/or the Chinese Party or its members on the other side, which concerns the admission to, or the withdrawal from, the ITMA ASIA + CITME, Singapore 2025 (28 - 31 October 2025 in Singapore) shall be resolved by arbitration in accordance with the Swiss Rules of International Arbitration of the Swiss Arbitration Centre in force on the date when the Notice of Arbitration is submitted in accordance with those rules. The number of arbitrators shall be three. The arbitrators shall apply Swiss law with the exclusion of the Vienna Convention on the Sales of Goods. The Seat of Arbitration shall be in the City of Zurich/Switzerland and the arbitral proceeding shall be conducted in English.

A22.2 The Organisers (Conducting ITMA ASIA + CITME, Singapore 2025)

The relationship between the exhibitor and the Organisers shall be governed by Singapore Law (subject to Article A22.1) and the Place of Jurisdiction for disputes between exhibitors and the organisers concerning matters not covered by Article A22.1 shall be Singapore.

Each Party agrees that any dispute arising out of or in connection with this Agreement or any document or transaction in connection with this Agreement (including any question regarding its existence, validity or termination, or any dispute or claim relating to any non-contractual obligations arising out of or in connection with this Agreement) shall be referred to and finally resolved by arbitration in Singapore to the exclusion of the ordinary courts, in accordance with the Arbitration Rules of the Singapore International Arbitration Centre ("SIAC") for the time being in force which rules are deemed to be incorporated by reference in this Article. The place of arbitration shall be in Singapore and the language of the arbitration shall be English. The arbitration tribunal shall consist of one arbitrator mutually appointed. The arbitral award made and granted by the arbitrator shall be final, binding and incontestable.

GENERAL TERMS AND CONDITIONS

The online Application for Admission and Rental for Stand Space Contract, the documents included in the annexes and any other official ITMA ASIA + CITME, Singapore 2025 documents issued at a later date and available at the Exhibitor Centre shall form part of ITMA ASIA + CITME, Singapore 2025 General Regulations and will be subject to the applicable laws and places of jurisdiction described above. The annexes include:

- Annex I: Index of Products
- Annex II: ITMA ASIA + CITME, Singapore 2025 Technical Regulations
- Annex III: Intellectual Property Service Regulation

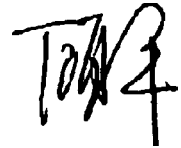
9 April 2024



**CEMATEX, Le Comité Européen
des Constructeurs de Machines Textiles**
Ernesto Maurer, President



**CCPIT TEX, The Sub Council of
Textile industry, China Council for
the Promotion of International Trade**
Xu Yingxin, Chairman



**CTMA, China Textile
Machinery Association**
Gu Ping, President



ITMA Services Pte Ltd
Sylvia Phua, Managing Director



**Beijing Textile Machinery
International Exhibition Co., Ltd.**
Liang Pengcheng, Managing Director



ITMA ASIA + CITME

SINGAPORE 2025

28 – 31 October 2025
Singapore Expo



ANNEX I

**INDEX OF
PRODUCTS**





Chapter 1

Machinery For Spinning Preparation, Man-Made Fibre Production, Spinning, Auxiliary Machinery And Accessories

Product Code Product Description

1.1 Preparatory machinery for cotton spinning systems

- 1.1.1 Gins
- 1.1.2 Baling presses
- 1.1.3 Bale breakers, bale pluckers
- 1.1.4 Blow room machines
- 1.1.5 Blending machines
- 1.1.6 Foreign fibre/part separators
- 1.1.7 Automatic feeding devices for carding machines
- 1.1.8 Cards
- 1.1.9 Drawing machines
- 1.1.10 Lap winders
- 1.1.11 Combing machines
- 1.1.12 Roving frames
- 1.1.13 Waste reclamation lines, tearers
- 1.1.14 Other preparatory machinery for cotton spinning systems

1.2 Preparatory machinery for worsted, semi-worsted and or woollen spinning systems

- 1.2.1 Baling presses
- 1.2.2 Opening lines for raw wool
- 1.2.3 Raw wool scouring lines
- 1.2.4 Carbonising lines
- 1.2.5 Opening, cleaning and blending lines
- 1.2.6 Waste reclamation lines, tearers
- 1.2.7 Auto-feeders
- 1.2.8 Worsted cards
- 1.2.9 Semi-worsted cards
- 1.2.10 Woollen cards
- 1.2.11 Drawing machines
- 1.2.12 Combing machines
- 1.2.13 Back washing machines
- 1.2.14 Finishers
- 1.2.15 Roving frames for worsted yarn
- 1.2.16 Other preparatory machinery for worsted, semi-worsted and woollen spinning systems

1.3 Preparatory machinery for bast fibre spinning systems

- 1.3.1 Opening, cleaning and blending machines
- 1.3.2 Auto-feeders
- 1.3.3 Cards
- 1.3.4 Combing machines
- 1.3.5 Drawing machines
- 1.3.6 Roving frames
- 1.3.7 Other preparatory machinery for bast fibre spinning systems

1.4 Machinery for the production of reeling silk

- 1.4.1 Automatic silk reeling machine
- 1.4.2 Other silk reeling machine

1.5 Machinery for the production of man-made filaments and fibres and for filament treatment

- 1.5.1 Extruders
- 1.5.2 Spinning plant for the production of man-made filaments and fibres, including laboratory machines
- 1.5.3 Winding or take-up units
- 1.5.4 Draw-winders
- 1.5.5 Draw-twisters
- 1.5.6 Staple fibre cutting machines
- 1.5.7 Cutting converters
- 1.5.8 Stretch-breaking machines
- 1.5.9 Baling presses
- 1.5.10 Tape producing plants
- 1.5.11 Fibrillation lines
- 1.5.12 Other machinery for the production of man-made filaments and fibres and for filament treatment

1.6 Spinning machines

- 1.6.1 Ring-spinning machines for cotton spinning system
- 1.6.2 Ring-spinning machines for worsted spinning system
- 1.6.3 Ring-spinning machines for semi-worsted spinning system
- 1.6.4 Ring-spinning machines for woollen spinning system
- 1.6.5 Ring-spinning machines for bast-fibres spinning
- 1.6.6 Ring-spinning machines for compact spinning
- 1.6.7 Ring-spinning machines for direct spinning
- 1.6.8 Rotor spinning machines
- 1.6.9 Air jet spinning machines
- 1.6.10 Self-acting mules
- 1.6.11 Centrifugal spinning machines
- 1.6.12 Flyer spinning machines
- 1.6.13 Friction spinning machines
- 1.6.14 Self-twist spinning machines
- 1.6.15 Hollow spindle spinning machines
- 1.6.16 Fancy yarn spinning devices
- 1.6.17 Electrospinning machines
- 1.6.18 Other spinning machines

1.7 Automatic doffing, piecing and transport systems for spinning preparation and spinning machines and man-made fibre production (for equipment for texturing machines, see 2.6)

- 1.7.1 Automatic doffing machines and devices
- 1.7.2 Automatic piecing devices
- 1.7.3 Automatic transport systems between spinning preparatory and spinning machines
- 1.7.4 Other automatic doffing, piecing and transport systems for spinning preparation and spinning machines and man-made fibre production (for transport systems between spinning and winding, doubling and twisting machines, see 2.6.3)

1.8 Auxiliary machinery and devices for spinning preparation and spinning and man-made fibre production

- 1.8.1 Mounting machines for flexible card clothing and metallic card wire
- 1.8.2 Card grinding machines
- 1.8.3 Card cleaning machines
- 1.8.4 Cot grinding and covering machines
- 1.8.5 Sliver can coilers
- 1.8.6 Additional devices (e.g. humidifying, waxing, oiling)
- 1.8.7 Cleaning units for extrusion tools
- 1.8.8 Steamers, autoclaves and dryers for tows
- 1.8.9 Travelling cleaners for spinning machines

- 1.8.10 Bobbin strippers
- 1.8.11 Machinery for the treatment of pellets
- 1.8.12 Other auxiliary machinery and devices for spinning preparation and spinning and man-made fibre production

1.9 Accessories for spinning preparatory machinery

- 1.9.1 Spindles, parts, flyers
- 1.9.2 Steel pins
- 1.9.3 Needle rollers, bars and segments
- 1.9.4 Spiked lattices, lags
- 1.9.5 Flexible card clothing
- 1.9.6 Metallic card wires
- 1.9.7 Sliver cans, springs
- 1.9.8 Flat and conveyor belts
- 1.9.9 Pressure rollers, cots and aprons, condensers
- 1.9.10 Accessories for silk reeling machines
- 1.9.11 Online sensors and measuring devices
- 1.9.12 Other accessories for spinning preparatory machinery

1.10 Accessories for machinery for the production of man-made filaments and fibres and for filament treatment

- 1.10.1 Tubes
- 1.10.2 Filters for cleaning of polymers
- 1.10.3 Spinning, discharge and lubrication pumps
- 1.10.4 Spinnerets
- 1.10.5 Godets
- 1.10.6 Pressure rollers, cots and aprons, condensers
- 1.10.7 Online sensors and measuring devices
- 1.10.8 Other accessories for machinery for the production of man-made filaments and fibres and for filament treatment

1.11 Accessories for spinning machines

- 1.11.1 Spindles and parts
- 1.11.2 Rings for ring-spinning machines
- 1.11.3 Travellers, inserting and dismantling tools for travellers
- 1.11.4 Rotors and parts
- 1.11.5 Opening rollers for rotor spinning machines
- 1.11.6 Other accessories for rotor spinning machines
- 1.11.7 Accessories for compact spinning machines
- 1.11.8 Sliver cans, springs
- 1.11.9 Tubes
- 1.11.10 Drafting systems
- 1.11.11 Pressure rollers, cots and aprons, condensers
- 1.11.12 Spindle tapes and tangential belts
- 1.11.13 Yarn cleaners, knotters, splicers
- 1.11.14 Steel pins
- 1.11.15 Yarn brakes
- 1.11.16 Yarn thread guides
- 1.11.17 Flat and conveyor belts
- 1.11.18 Ceramic and porcelain accessories
- 1.11.19 Roller coverings
- 1.11.20 Leather accessories
- 1.11.21 Online sensors and measuring devices
- 1.11.22 Other accessories for spinning machines

1.12 Accessories for automatic doffing, piecing and transport systems for spinning preparation and spinning machines

- 1.12.1 Flat and conveyor belts
- 1.12.2 Other accessories for automatic doffing, piecing and transport systems for spinning preparation and spinning machines



Chapter 2

Machinery For Winding, Texturing, Twisting, Auxiliary Machinery And Accessories

2.1 Winding and reeling and covering machinery

- 2.1.1 Cone and cheese winders
- 2.1.2 Precision cone and cheese winders
- 2.1.3 Pirn winders
- 2.1.4 Winding machines for tubular cops
- 2.1.5 Winding machines for bottle bobbins
- 2.1.6 Sewing-thread winding machines
- 2.1.7 Winding machines for flanged bobbins
- 2.1.8 Reeling machines
- 2.1.9 Hank to cone winders
- 2.1.10 Balling winders
- 2.1.11 Card winding machines
- 2.1.12 Yarn singeing machines
- 2.1.13 Yarn raising machines
- 2.1.14 Covering machines
- 2.1.15 Rewinding machines
- 2.1.16 Other winding, reeling and covering machinery

2.2 Yarn steaming, setting, moistening and coating machinery

- 2.2.1 Autoclaves for steaming
- 2.2.2 Heat-setting machines
- 2.2.3 Moistening machines
- 2.2.4 Yarn coating machines
- 2.2.5 Other yarn steaming, setting and moistening machinery

2.3 Texturing, bulking and crimping machinery

- 2.3.1 False-twist texturing machines
- 2.3.2 Air texturing machines
- 2.3.3 Air intermingling machines
- 2.3.4 Bulking and crimping machines
- 2.3.5 Other texturing, bulking and crimping machinery

2.4 Doubling and twisting machinery for staple fibre and filament yarns

- 2.4.1 Doubling machines
- 2.4.2 Two-for-one twisters
- 2.4.3 Two-for-one twisters with heat treatment
- 2.4.4 Direct cabling machines
- 2.4.5 Up-twisters
- 2.4.6 Ring twisting frames

- 2.4.7 Ring doubling and twisting machines
- 2.4.8 Flyer twisting machines
- 2.4.9 Fancy twisters
- 2.4.10 Chenille yarn twisting machines
- 2.4.11 Other doubling and twisting machinery for staple fibre and filament yarns

2.5 Cordage and rope making machinery

- 2.5.1 Laying machines
- 2.5.2 Cabling and rope making machines
- 2.5.3 Other cordage and rope making machinery

2.6 Automatic doffing, piecing and transport systems for winding, texturing and twisting machines

- 2.6.1 Automatic doffing machines and devices
- 2.6.2 Automatic piecing devices
- 2.6.3 Automatic transport systems between spinning and winding, doubling and twisting machines
- 2.6.4 Other automatic doffing, piecing and transport systems for winding, texturing and twisting machines

2.7 Auxiliary machinery and devices for winding, texturing and twisting

- 2.7.1 Additional devices (e.g. humidifying, waxing, oiling, singeing, setting)
- 2.7.2 Bobbin strippers, tube cleaning machines
- 2.7.3 Other auxiliary machinery for winding, texturing and twisting

2.8 Accessories for winding, texturing and twisting machinery

- 2.8.1 Spindles and parts
- 2.8.2 Rings for ring-twisting
- 2.8.3 Travellers, inserting and dismantling tools for travellers
- 2.8.4 Tubes, cops
- 2.8.5 Spindle tapes and tangential belts
- 2.8.6 Yarn cleaners, knotters, splicers
- 2.8.7 Yarn break detectors
- 2.8.8 Yarn brakes
- 2.8.9 Yarn thread guides
- 2.8.10 Yarn warp sensors
- 2.8.11 Air texturing and interlacing jets
- 2.8.12 False-twist units and parts
- 2.8.13 Flat and conveyor belts
- 2.8.14 Ceramic and porcelain accessories
- 2.8.15 Pressure rollers, cots and aprons, condensers
- 2.8.16 Online sensors and measuring devices
- 2.8.17 Other accessories for winding, texturing and twisting machinery

2.9 Accessories for automatic doffing, piecing and transport systems for winding, texturing and twisting machines

- 2.9.1 Flat and conveyor belts
- 2.9.2 Other accessories for automatic doffing, piecing and transport systems for winding, texturing and twisting machines



Chapter 3

Machinery For Web Formation, Bonding And Finishing Of Nonwovens And Felting, Auxiliary Machinery And Accessories

3.1 Machinery for web formation

- 3.1.1 Bale breakers, bale pluckers
- 3.1.2 Opening, cleaning, blending and dosing machines
- 3.1.3 Feeding devices
- 3.1.4 Cards
- 3.1.5 Web laying machines
- 3.1.6 Machines for aerodynamic web formation
- 3.1.7 Machines for wet-laying of webs
- 3.1.8 Production lines for spunbonded and meltblown webs (for extruders, see 1.5.1)
- 3.1.9 Web drafting machines
- 3.1.10 Other machinery for web formation

3.2 Machinery for bonding and finishing of nonwovens

- 3.2.1 Needle felting machines
- 3.2.2 Spunlace machines
- 3.2.3 Chemical bonding machines
- 3.2.4 Thermal bonding machines
- 3.2.5 Ultrasound bonding machines
- 3.2.6 Felting machinery
- 3.2.7 Hat-making machinery
- 3.2.8 Dryers for nonwovens
- 3.2.9 Calenders
- 3.2.10 Coating machines
- 3.2.11 Combining and laminating machines
- 3.2.12 Wadding sizing/glueing machines
- 3.2.13 Puncturing machines
- 3.2.14 Other machinery for bonding and finishing of nonwovens (for winding devices, see 8.7.9; for cutting, rolling and folding machinery, see 8.6; for multiaxial warp knitting machines, stitch bonding machines, see 5.4.3; for converting machines, see 10.4.20)

3.3 Auxiliary machinery and devices for web formation, bonding and finishing of nonwovens and felting

- 3.3.1 Mounting machines for flexible card clothing and metallic card wire
- 3.3.2 Card grinding machines
- 3.3.3 Card cleaning machines
- 3.3.4 Transport devices for nonwovens production
- 3.3.5 Chemical dispensing systems
- 3.3.6 Other auxiliary machinery for web formation, bonding and finishing of nonwovens and felting

3.4 Accessories for machinery for web formation, bonding and finishing of nonwovens and felting

- 3.4.1 Spinnerets for spunbonded and meltblown webs
- 3.4.2 Flexible card clothing
- 3.4.3 Metallic card wires
- 3.4.4 Conveyor belts, cross lapper belts
- 3.4.5 Felting needles
- 3.4.6 Hydroentangling jets
- 3.4.7 Calender bowls and rollers

- 3.4.8 Roller coverings
- 3.4.9 Web inspection systems
- 3.4.10 Online sensors and measurement devices
- 3.4.11 Other accessories for machinery for web formation, bonding and finishing of nonwovens and felting (for filters for cleaning of polymers, see 1.10.2)



Chapter 4

Weaving Preparatory Machinery, Weaving, Tufting Machinery, Auxiliary Machinery And Accessories

4.1 Weaving preparatory machinery

- 4.1.1 Creels
- 4.1.2 Sectional warping machines
- 4.1.3 Beam warping machines
- 4.1.4 Draw-warping machines
- 4.1.5 Beaming machines
- 4.1.6 Sizing/slashing machines
- 4.1.7 Indigo warp dyeing lines
- 4.1.8 Leasing machines
- 4.1.9 Drawing-in machines
- 4.1.10 Warp-tying machines
- 4.1.11 Hand knotters and splicers
- 4.1.12 Other weaving preparatory machinery

4.2 Weaving machinery

- 4.2.1 Rapier weaving machines
- 4.2.2 Projectile weaving machines
- 4.2.3 Air jet weaving machines
- 4.2.4 Water jet weaving machines
- 4.2.5 Multiphase weaving machines
- 4.2.6 Shuttle looms
- 4.2.7 Circular weaving machines
- 4.2.8 Narrow fabrics weaving machines
- 4.2.9 Other weaving machines

4.3 Weaving machinery for special purposes

- 4.3.1 Weaving machines for heavy fabrics, for paper making felts and for wire filter fabrics
- 4.3.2 Weaving machines for tyre cord fabrics
- 4.3.3 Weaving machines for glass, aramid or carbon yarns
- 4.3.4 Weaving machines for leno fabrics
- 4.3.5 Weaving machines for plush and velvet
- 4.3.6 Weaving machines for terry fabrics
- 4.3.7 Weaving machines for carpet and rugs
- 4.3.8 Label weaving machines
- 4.3.9 Sample weaving machines
- 4.3.10 Other weaving machines for special purposes

4.4 Shedding machinery and shedding programming devices

- 4.4.1 Cam motions
- 4.4.2 Dobbies, mechanical
- 4.4.3 Dobbies, electronic
- 4.4.4 Jacquards, mechanical

- 4.4.5 Jacquards, electronic
- 4.4.6 Programming devices
- 4.4.7 Devices for woven name selvedge and false selvedge
- 4.4.8 Other shedding machinery and shedding programming devices

4.5 Tufting machinery

- 4.5.1 Tufting machines
- 4.5.2 Table models and hand tufters
- 4.5.3 Patterning devices for tufting machines
- 4.5.4 Other tufting machinery

4.6 Auxiliary machinery for weaving preparatory, weaving and tufting

- 4.6.1 Machines for cleaning reeds, healds and drop wires
- 4.6.2 Shuttle rectifying machines
- 4.6.3 Pirn strippers
- 4.6.4 Weft accumulators
- 4.6.5 Equipment for loom automation (for data monitoring and processing systems, see Chapter 15)
- 4.6.6 Separate cloth winding devices
- 4.6.7 Coating devices for direct use on weaving machines
- 4.6.8 Automatic exchange systems of warp and cloth beam and loom harness (quick style change)
- 4.6.9 Travelling cleaners for weaving machines
- 4.6.10 Transport devices for weaving preparatory and weaving
- 4.6.11 Other auxiliary machinery for weaving preparatory, weaving and tufting

4.7 Accessories for weaving preparatory, weaving and tufting machinery

- 4.7.1 Yarn brakes
- 4.7.2 Yarn thread guides
- 4.7.3 Ceramic and porcelain accessories
- 4.7.4 Healds
- 4.7.5 Reeds
- 4.7.6 Heald frames
- 4.7.7 Harnesses
- 4.7.8 Temples
- 4.7.9 Warp stop motions
- 4.7.10 Drop wires
- 4.7.11 Roller coverings
- 4.7.12 Leather accessories
- 4.7.13 Weft stop motions
- 4.7.14 Weft feelers
- 4.7.15 Cones, tubes and pirns for weaving
- 4.7.16 Pickers and lug straps
- 4.7.17 Rapier tapes, rapiers
- 4.7.18 Shuttles
- 4.7.19 Nozzles for weaving machines
- 4.7.20 Jacquard and dobby cards
- 4.7.21 Beams, beam flanges
- 4.7.22 Beams for narrow fabrics
- 4.7.23 Pick counters
- 4.7.24 Cutting devices for weaving machines
- 4.7.25 Tufting grippers, needles and cutters
- 4.7.26 Fabric inspection systems
- 4.7.27 Online sensors and measuring devices
- 4.7.28 Other accessories for weaving preparatory, weaving and tufting machinery



Chapter 5

Knitting And Hosiery Machinery, Auxiliary Machinery And Accessories

5.1 Preparatory machinery for knitting and hosiery

- 5.1.1 Creels
- 5.1.2 Beam warping machines
- 5.1.3 Sectional warping machines
- 5.1.4 Other preparatory machinery for knitting and hosiery

5.2 Circular knitting and hosiery machinery

- 5.2.1 Single cylinder knitting machines, over 165 mm cylinder diameter
- 5.2.2 Single cylinder electronic jacquard knitting machines, over 165 mm cylinder diameter
- 5.2.3 Double cylinder knitting machines, over 165 mm cylinder diameter
- 5.2.4 Double cylinder electronic jacquard knitting machines, over 165 mm cylinder diameter
- 5.2.5 Single cylinder knitting machines, up to 165 mm cylinder diameter
- 5.2.6 Double cylinder knitting machines, up to 165 mm cylinder diameter
- 5.2.7 Knitting machines for socks
- 5.2.8 Other circular knitting and hosiery machinery

5.3 Flat knitting machinery

- 5.3.1 Flat bed knitting machines
- 5.3.2 Straight-bar knitting machines (cotton looms)
- 5.3.3 Other flat bed knitting machinery

5.4 Warp knitting machines

- 5.4.1 Flat warp knitting machines
- 5.4.2 Raschel machines
- 5.4.3 Multiaxial warp knitting machines, stitch bonding machines
- 5.4.4 Crochet machines
- 5.4.5 Other warp knitting machinery

5.5 Knitting machines for special purposes

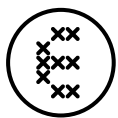
- 5.5.1 Knitting machines for seamless products
- 5.5.2 High pile circular knitting machines
- 5.5.3 Garment length knitting machines
- 5.5.4 Knitting machines for gloves

5.6 Auxiliary machinery for knitting and hosiery production

- 5.6.1 Yarn feeders
- 5.6.2 Unraveling machine
- 5.6.3 Electronic pattern preparing systems
- 5.6.4 Separate cloth winding devices
- 5.6.5 Travelling cleaners for knitting machines
- 5.6.6 Transport devices for knitting and hosiery production
- 5.6.7 Other auxiliary machinery for knitting and hosiery production

5.7 Accessories for knitting and hosiery machinery

- 5.7.1 Needles
- 5.7.2 Jacks
- 5.7.3 Knitting cylinders
- 5.7.4 Roller coverings
- 5.7.5 Sinkers
- 5.7.6 Sectional beams
- 5.7.7 Yarn thread guides
- 5.7.8 Ceramic and porcelain accessories
- 5.7.9 Yarn control devices
- 5.7.10 Needle control devices
- 5.7.11 Online sensors and measuring devices
- 5.7.12 Other accessories for knitting and hosiery machinery



Chapter 6

Embroidery Machinery, Auxiliary Machinery And Accessories

6.1 Embroidery machinery

- 6.1.1 Preparatory machinery for embroidery
- 6.1.2 Shuttle embroidery machines (single and multi head)
- 6.1.3 Embroidery machines and automatic units (single head)
- 6.1.4 Embroidery machines and automatic units (multi head)
- 6.1.5 Chenille embroidery machines
- 6.1.6 Other embroidery machinery

6.2 Auxiliary machinery for embroidery

- 6.2.1 Embroidery sequin devices
- 6.2.2 Embroidery laser devices
- 6.2.3 Other auxiliary embroidery machinery

6.3 Accessories for embroidery machinery

- 6.3.1 Yarn thread guides
- 6.3.2 Shuttles
- 6.3.3 Needles
- 6.3.4 Ceramic and porcelain accessories
- 6.3.5 Online sensors and measuring devices
- 6.3.6 Embroidery threads
- 6.3.7 Embroidery backing materials
- 6.3.8 Other accessories for embroidery machinery



Chapter 7

Braiding Machinery And Accessories

7.1 Braiding machinery

- 7.1.1 Preparatory and auxiliary machinery for braids and trimmings
- 7.1.2 Braiding machines
- 7.1.3 Machines for trimmings
- 7.1.4 Lace braiding machines
- 7.1.5 Fringing machines
- 7.1.6 Other braiding machinery

7.2 Accessories for braiding machinery

- 7.2.1 Yarn thread guides
- 7.2.2 Ceramic and porcelain accessories
- 7.2.3 Bobbins
- 7.2.4 Online sensors and measuring devices
- 7.2.5 Other accessories for braiding machinery



Chapter 8

Washing, Bleaching, Dyeing, Drying, Finishing, Cutting, Rolling And Folding Machinery, Auxiliary Machinery And Accessories

8.1 Dry and wet pre-treatment machinery

- 8.1.1 Carbonising machines
- 8.1.2 Singeing machines
- 8.1.3 Fabric cleaning machines, beating and dust removal machines
- 8.1.4 Crabbing machines, kiers, boiling apparatus
- 8.1.5 Desizing machines
- 8.1.6 Bleaching apparatus and machines, batch
- 8.1.7 Bleaching plant, continuous
- 8.1.8 Yarn washing machines
- 8.1.9 Rope washing machines
- 8.1.10 Open-width washing machines
- 8.1.11 Solvent washing machines
- 8.1.12 Milling/fulling machines
- 8.1.13 Mercerising machines for yarns
- 8.1.14 Mercerising machines for woven and knitted fabrics
- 8.1.15 Other dry and wet pre-treatment machinery (for padding and impregnating machines, see 8.5.31; for machines for plasma treatment, see 8.5.30)

8.2 Dyeing machines and apparatus

- 8.2.1 Continuous dyeing lines for tows and tops
- 8.2.2 Continuous dyeing lines for yarn
- 8.2.3 Continuous dyeing lines for warp
- 8.2.4 Continuous dyeing machines for narrow fabrics
- 8.2.5 Continuous dyeing machines for carpets
- 8.2.6 Continuous dyeing machines for other fabrics

- 8.2.7 Piece dyeing machines of terry towels and carpets
- 8.2.8 HT dyeing apparatus for cones
- 8.2.9 HT dyeing apparatus for beams
- 8.2.10 Yarn dyeing apparatus, atmospheric pressure
- 8.2.11 Padding mangles
- 8.2.12 Cabinet hank dyeing machines
- 8.2.13 Fabric dyeing apparatus, atmospheric pressure
- 8.2.14 Jet dyeing machines
- 8.2.15 HT overflow dyeing machines
- 8.2.16 Overflow dyeing machines, atmospheric pressure
- 8.2.17 Winch becks
- 8.2.18 Jiggers
- 8.2.19 Star-frame dyers
- 8.2.20 Random dyeing machines for fabrics
- 8.2.21 Centrifugal dyeing machines
- 8.2.22 Drum dyeing machines
- 8.2.23 Oval paddle dyeing machines
- 8.2.24 Sample dyeing equipment
- 8.2.25 Laboratory dyeing apparatus
- 8.2.26 Other dyeing machines and apparatus

8.3 Water extraction machines

- 8.3.1 Roller squeezers
- 8.3.2 Suction extractors
- 8.3.3 Centrifugal hydro-extractors
- 8.3.4 Other water extraction machines

8.4 Tentering and drying machines

- 8.4.1 Equalising machines
- 8.4.2 Tentering and stentering machines
- 8.4.3 Float dryers
- 8.4.4 Tensionless and conveyor dryers
- 8.4.5 Continuous tumblers
- 8.4.6 Loop dryers, festoon dryers
- 8.4.7 Loop steamers
- 8.4.8 Steam dryers
- 8.4.9 Hot flues
- 8.4.10 Post-printing dryers, drying lofts
- 8.4.11 Suction drum dryers, sieve drum dryers
- 8.4.12 Infrared dryers
- 8.4.13 Vertical dryers
- 8.4.14 Cylinder drying machines, drum drying machines
- 8.4.15 Felt calenders
- 8.4.16 Hank dryers
- 8.4.17 Package dryers
- 8.4.18 Tunnel dryers
- 8.4.19 Radio frequency dryers
- 8.4.20 Drying chambers, ovens
- 8.4.21 Vacuum dryers
- 8.4.22 Discontinuous tumblers
- 8.4.23 Other tentering and drying machines

8.5 Finishing machines

- 8.5.1 Damping machines
- 8.5.2 Agers, steaming machines and apparatus
- 8.5.3 Decatising machinery

- 8.5.4 Raising machines
- 8.5.5 Tigering machines
- 8.5.6 Polishing machines
- 8.5.7 Shearing machines
- 8.5.8 Cutting machines for velvets and velveteens
- 8.5.9 Suede finishing machines
- 8.5.10 Brushing machines
- 8.5.11 Waxing machines
- 8.5.12 Pile finishing machines
- 8.5.13 Finish breaking machines
- 8.5.14 Air jet finishing machines
- 8.5.15 Calenders
- 8.5.16 Singeing machines
- 8.5.17 Roller presses
- 8.5.18 Finishing presses
- 8.5.19 Knitwear ironing presses
- 8.5.20 Preboarding machines
- 8.5.21 Boarding machines for knitwear
- 8.5.22 Finishing machines for knitwear
- 8.5.23 Finishing machines for narrow fabrics
- 8.5.24 Pleating machines for the textile industry (for the garment making industry, see 10.6.6)
- 8.5.25 Carpet glueing machines
- 8.5.26 Shrinking machines (for shrinking machines for garments, see 10.3.1)
- 8.5.27 Polymerisers
- 8.5.28 Combining and laminating machines
- 8.5.29 Coating machines
- 8.5.30 Machines for plasma treatment
- 8.5.31 Padding and impregnating machines
- 8.5.32 Degreasing machines
- 8.5.33 Laser machines for special effects on broad fabrics (for the garment making industry, see 10.6.10)
- 8.5.34 Other finishing machines

8.6 Cutting, inspecting, measuring, rolling and folding machinery

- 8.6.1 Hot-cutting machines
- 8.6.2 Mechanical cutting machines
- 8.6.3 Laser cutting machines
- 8.6.4 Ultrasonic cutting machines
- 8.6.5 Inspecting machines (for inspecting machines for garments, see 10.3.4)
- 8.6.6 Measuring, rolling and folding machines for woven fabrics
- 8.6.7 Measuring, rolling and folding machines for knitted fabrics
- 8.6.8 Measuring, rolling and folding machines for nonwovens
- 8.6.9 Measuring, rolling and folding machines for narrow fabrics
- 8.6.10 Other cutting, inspecting, measuring, rolling and folding machinery

8.7 Auxiliary machinery for washing, bleaching, dyeing, drying, finishing, cutting, rolling and folding

- 8.7.1 Mixing machines for colours and finishing agents, colour straining and emulsifying
- 8.7.2 Dyeing colour kitchens
- 8.7.3 Colour and chemical dispensing systems
- 8.7.4 Grinding machines
- 8.7.5 Presses for bumps, tows and tops
- 8.7.6 Bag stitching and end-to-end sewing machines
- 8.7.7 Weft straighteners and other straightening devices
- 8.7.8 Rope detwisting, turning and slitting machines
- 8.7.9 Winding and plaiting devices
- 8.7.10 Transport devices for washing, bleaching, dyeing, drying, finishing, cutting, rolling and folding
- 8.7.11 Other auxiliary machinery for washing, bleaching, dyeing, drying, finishing, cutting, rolling and folding

8.8 Accessories for washing, bleaching, dyeing, drying, finishing, cutting, rolling and folding machinery

- 8.8.1 Shearing-blades and rollers
- 8.8.2 Dyeing spindles, dyeing tubes and cones
- 8.8.3 Dye beams
- 8.8.4 Pins, stenter clips and pin plates
- 8.8.5 Conveyor belts for dryers
- 8.8.6 Calender bowls
- 8.8.7 Flexible clothing for raising machines
- 8.8.8 Roller coverings
- 8.8.9 Stretching rollers
- 8.8.10 Expanders for fabrics in rope form
- 8.8.11 Fabrics guiding devices
- 8.8.12 Online sensors and measuring devices
- 8.8.13 Winding rollers
- 8.8.14 Decatising wrappers and blankets for finishing
- 8.8.15 Hosiery shapes
- 8.8.16 Temples
- 8.8.17 Other accessories for washing, bleaching, dyeing, drying, finishing, cutting, rolling and folding machinery



Chapter 9

Printing Machinery, Digital Printing, Auxiliary Machinery, Inks And Accessories

9.1 Printing machinery

- 9.1.1 Top and yarn printing machines
- 9.1.2 Roller printing machines
- 9.1.3 Flat screen printing machines
- 9.1.4 Rotary screen printing machines
- 9.1.5 Selvedge printing machines
- 9.1.6 Flock-printing machines
- 9.1.7 Other printing machinery

9.2 Digital printing machinery

- 9.2.1 Inkjet printers: UV inks
- 9.2.2 Inkjet printers: solvent inks
- 9.2.3 Inkjet printers: water-based inks
- 9.2.4 Inkjet printers: eco-solvent inks
- 9.2.5 Inkjet printers: latex inks
- 9.2.6 Inkjet printers: sublimation inks
- 9.2.7 Inkjet printers: pigment inks
- 9.2.8 Inkjet plotters
- 9.2.9 Other inkjet printing machinery

9.3 Auxiliary machinery for printing

- 9.3.1 Automated screen printing carriages
- 9.3.2 Transfer printing calenders
- 9.3.3 Auxiliary machinery for transfer printing
- 9.3.4 Transport devices for printing
- 9.3.5 Decal/labelling printers

- 9.3.6 Cleaning machines for screens
- 9.3.7 Colour kitchens for printing paste preparation
- 9.3.8 Patterning systems for flat screens
- 9.3.9 Roller engraving machines
- 9.3.10 Engraving systems for rotary screens
- 9.3.11 Other auxiliary machinery for printing

9.4 Accessories for printing machinery

- 9.4.1 Screens for printing
- 9.4.2 Papers for transfer printing
- 9.4.3 Printing rollers
- 9.4.4 Inkjet printing heads
- 9.4.5 Inkjet printing cartridges
- 9.4.6 Blankets for printing
- 9.4.7 Online sensors and measuring devices
- 9.4.8 Other accessories for printing

9.5 Inks

- 9.5.1 Screen printing inks
- 9.5.2 Digital printing inks



Chapter 10

Garment Making Machinery, Other Textile Processing Machinery, Auxiliary Machinery And Accessories

10.1 Software and systems for product planning, design and related automation technology for garment making

- 10.1.1 CAD computer aided design system
- 10.1.2 Pattern-making equipment and systems
- 10.1.3 Grading equipment and systems
- 10.1.4 Marker-making equipment and systems
- 10.1.5 CAM computer aided monitoring systems
- 10.1.6 Other software and systems for product planning, design and related automation technology for garment making

10.2 Equipment for product development

- 10.2.1 Plotters
- 10.2.2 Digitisers
- 10.2.3 Body forms and mannequins
- 10.2.4 3D body scanners
- 10.2.5 Other equipment for product development

10.3 Machinery for shrinking, fusing, cutting preparation, cutting and related automation technology

- 10.3.1 Shrinking machines for garments (for shrinking machines for fabrics, see 8.5.26)
- 10.3.2 Fusing equipment and machines
- 10.3.3 Fabric spreading, laying and unrolling machines
- 10.3.4 Fabric inspecting machines for garments (for inspecting machines for fabrics, see 8.6.5)

- 10.3.5 Automatic cutting systems
- 10.3.6 Hand operated cutting machines
- 10.3.7 Laser cutting machines
- 10.3.8 Die-cutting machines and press-cutting machines
- 10.3.9 Strip-cutting equipment and machines
- 10.3.10 Other cutting equipment and machines

10.4 Machinery for sewing, quilting, linking and converting

- 10.4.1 Sewing machines (chainstitch)
- 10.4.2 Sewing machines (lockstitch)
- 10.4.3 Sewing machines (overedge, cover and other multi-thread stitch types)
- 10.4.4 Automatic button-sewing machines
- 10.4.5 Automatic buttonhole machines
- 10.4.6 Automatic tacking machines (mechanically or CNC programme controlled)
- 10.4.7 Belt-making and button-covering machines
- 10.4.8 Blindstitching and felling machines
- 10.4.9 Domestic sewing machines
- 10.4.10 Machines for attaching press-studs, rivets, hooks and eyes
- 10.4.11 Automated sewing units
- 10.4.12 Sewing machines for decorative effects
- 10.4.13 Other sewing machinery
- 10.4.14 Sewing workstations and associated equipment
- 10.4.15 Ultrasonic seaming equipment
- 10.4.16 High frequency welding machines
- 10.4.17 Quilting and mattress machinery
- 10.4.18 Cushion machines and other filling machinery
- 10.4.19 Linking machines
- 10.4.20 Converting machines
- 10.4.21 Other machinery for sewing, quilting, linking and converting

10.5 Sewing supplies and consumables

- 10.5.1 Sewing thread
- 10.5.2 Buttons and fasteners
- 10.5.3 Interlinings (fusible, thermal, etc)
- 10.5.4 Trimming materials
- 10.5.5 Hangers
- 10.5.6 Transfers
- 10.5.7 Branding or care labels
- 10.5.8 RFID labels (for RFID and transponder systems, see 15.6.2)
- 10.5.9 Other consumables for garment manufacture

10.6 Machinery and equipment for product finishing

- 10.6.1 Label printing machinery
- 10.6.2 Transfer presses (including form presses, pressing accessories, pressing room system)
- 10.6.3 Ironing equipment (including iron stations)
- 10.6.4 Pressing machines
- 10.6.5 Steaming machines and cabinets
- 10.6.6 Pleating apparatus (for pleating machines for the textile industry, see 8.5.24)
- 10.6.7 Inkjet printing machines for garments and finished products (for inkjet printing machines for fabrics, see Chapter 9)
- 10.6.8 Screen printing machines for garments and finished products
- 10.6.9 Rhinestone attaching machines
- 10.6.10 Laser machines for special effects on garments (for laser machines for special effects on broad fabric, see 8.5.33)
- 10.6.11 Washing machines (including stone and enzyme washing machines)
- 10.6.12 Sand blasting machines
- 10.6.13 Other machinery for product finishing

10.7 Auxiliary machinery for the garment making industry

- 10.7.1 Serrated edge sample cutting machines
- 10.7.2 Folding machines for ready made textiles and garments
- 10.7.3 Hanging garment transportation systems
- 10.7.4 Rail systems for garment pieces
- 10.7.5 Trolleys for garment pieces
- 10.7.6 Other auxiliary machinery for the garment making industry

10.8 Accessories for machinery for the garment making industry

- 10.8.1 Sewing machine parts and accessories
- 10.8.2 Sewing needles
- 10.8.3 Cutting room accessories
- 10.8.4 Online sensors and measuring devices
- 10.8.5 Other accessories for machinery for the garment making industry



Chapter 11

Machinery For Textile Reinforcement Structures For Composites, Auxiliary Machinery And Accessories

(for nonwoven machines, see Chapter 3; for weaving machines, see 4.3.3; for flat knitting machines, see 5.3.1; for warp knitting machines, see 5.4.1 and 5.4.3; for braiding machines, see 7.1.2)

- 11.1 Machines for the production and treatment of special fibres (e.g. carbon, glass, aramid fibres; for other fibre producing machines, see Chapter 1)
- 11.2 Filament winding machines
- 11.3 Fibre spreading machines
- 11.4 Tape laying machines, Fibre placement lines
- 11.5 Coating and impregnation machines for prepreg production
- 11.6 Other machines for the production of reinforcement structures
- 11.7 Special testing equipment for textile reinforcement structures
- 11.8 Auxiliary machinery and accessories for machines for textile reinforcement structures



Chapter 12

Laboratory Testing And Measuring Equipment And Accessories

- 12.1 Devices for sample preparation
- 12.2 Testing devices for textile machinery parts (e.g. spinnerets, card clothing)
- 12.3 Textile testing and measuring equipment for fibres and yarns
- 12.4 Textile testing and measuring equipment for fabrics
- 12.5 Conditioning apparatus for laboratory
- 12.6 Hygroscopes
- 12.7 Colour measuring instruments
- 12.8 Equipment for textile chemistry
- 12.9 Accessories for laboratory testing and measuring equipment



Chapter 13

Transport, Handling, Logistics, Storing And Packing Equipment And Accessories

13.1 Transport and handling equipment and accessories (for tracking and tracing of products, see 15.6)

- 13.1.1 General automatic conveying and handling equipment for the textile industry (for robots, see 15.5.1; for specific transport equipment, see Chapters 1 to 10)
- 13.1.2 General hand conveying equipment (for specific transport equipment, see Chapters 1 to 10)
- 13.1.3 Accessories for transport and handling equipment

13.2 Warehouses and warehousing systems

- 13.2.1 Turnkey warehousing systems
- 13.2.2 Warehouses for bobbin pallets
- 13.2.3 Warehouses for fabric rolls
- 13.2.4 Warehouse handling equipment
- 13.2.5 Warehouse belt conveyors and sortation devices
- 13.2.6 Warehouse hanging garment conveyors and sortation devices
- 13.2.7 Racking, shelving, storage
- 13.2.8 Accessories for warehouses and warehousing systems

13.3 Equipment for packing, labelling and sample preparation and accessories

- 13.3.1 Handling, packing, labelling and marking machines for yarns and fabrics
- 13.3.2 Handling, packing, labelling and marking machines for the garment making industry
- 13.3.3 Machines for preparation of textile samples
- 13.3.4 Accessories for equipment for packing, labelling and sample preparation



Chapter 14

Equipment For Recycling, Waste Reduction And Pollution Prevention And Accessories

14.1 Equipment for textile recycling

- 14.1.1 Recycling of bottle flakes
- 14.1.2 Dryers of bottle flakes
- 14.1.3 Re-granulating equipment for tapes, fibres and nonwoven production waste
- 14.1.4 Textile sorting systems
- 14.1.5 Chemical recycling technology
- 14.1.6 Other recycling systems (for fibre and fabric reclamation lines, see 1.1.13 and 1.2.6)

14.2 Equipment for waste water treatment

14.3 Equipment for the separation of solid, fluid and gaseous substances from exhaust air and exhaust water

14.4 Heat recovery systems

14.5 Equipment for waste management

14.6 Other equipment for waste reduction and pollution prevention (for fibre and fabric reclamation lines, see 1.1.13 and 1.2.6)

14.7 Accessories for equipment for recycling, waste reduction and pollution prevention



Chapter 15

Software And Automation For Design, Data Monitoring, Processing And Integrated Production

15.1 Electronic design software and engineering systems (CAD, CAE)

- 15.1.1 Electronic systems for the spinning and winding industry
- 15.1.2 Electronic systems for the nonwovens industry
- 15.1.3 Electronic systems for the weaving industry
- 15.1.4 Electronic systems for the knitting industry
- 15.1.5 Electronic systems for the dyeing, printing and finishing industry
- 15.1.6 Electronic systems for laboratory testing and measuring
- 15.1.7 Electronic systems for the embroidery and braiding industry

15.2 Software and systems for data monitoring and processing (CAM, including controls)

- 15.2.1 Data monitoring and control systems for the spinning and winding industry
- 15.2.2 Data monitoring and control systems for the nonwovens industry
- 15.2.3 Data monitoring and control systems for the weaving industry
- 15.2.4 Data monitoring and control systems for the knitting industry
- 15.2.5 Data monitoring and control systems for the dyeing, printing and finishing industry
- 15.2.6 Data monitoring and control systems for laboratory testing and measuring
- 15.2.7 Data monitoring and control systems for the embroidery, braiding and garment making industry

15.3 Software systems for knowledge management, production management and supply chain management

- 15.3.1 Software for knowledge management
- 15.3.2 Software systems for Supply Chain Management (SCM) in textile networks
- 15.3.3 Software for Enterprise Resource Planning (ERP), Product Lifecycle Management (PLM) and Production Planning and Scheduling (PPS)
- 15.3.4 Warehouse and logistics management systems
- 15.3.5 Environmental management systems
- 15.3.6 Quality management systems

15.4 Digital platforms

- 15.4.1 Digital platforms and network solutions for textile and clothing production
- 15.4.2 Digital platforms for procurement of textile materials
- 15.4.3 B2C platforms for retail

15.5 Automation of production processes

- 15.5.1 Robots
- 15.5.2 Equipment for virtual reality and augmented reality
- 15.5.3 Other equipment for automation
- 15.5.4 Services for automation of production processes

15.6 Tracking and tracing of products

- 15.6.1 Electronic Article Numbering (EAN) systems, bar coding systems
- 15.6.2 Radio Frequency Identification (RFID) systems, transponder systems (for RFID labels for the garment industry, see 10.5.8)
- 15.6.3 Traceability services and platforms
- 15.6.4 Other systems for tracking and tracing of products



Chapter 16

Colourants And Chemical Auxiliaries For The Textile Industry

16.1 Colourants and chemical auxiliaries relating to the spinning and winding industry

- 16.1.1 Dyes and pigments relating to the spinning and winding industry
- 16.1.2 Masterbatches and other chemical auxiliaries relating to the spinning and winding industry

16.2 Colourants and chemical auxiliaries relating to the nonwovens industry

- 16.2.1 Dyes and pigments relating to the nonwovens industry
- 16.2.2 Masterbatches and other chemical auxiliaries relating to the nonwovens industry

16.3 Colourants and chemical auxiliaries relating to the weaving industry

- 16.3.1 Dyes and pigments relating to the weaving industry
- 16.3.2 Chemical auxiliaries relating to the weaving industry

16.4 Colourants and chemical auxiliaries relating to the knitting industry

- 16.4.1 Dyes and pigments relating to the knitting industry
- 16.4.2 Chemical auxiliaries relating to the knitting industry

16.5 Colourants and chemical auxiliaries relating to the dyeing and finishing industry

- 16.5.1 Dyes and pigments relating to the dyeing and finishing industry
- 16.5.2 Chemical auxiliaries relating to the dyeing and finishing industry

16.6 Colourants and chemical auxiliaries relating to the printing industry

- 16.6.1 Dyes and pigments relating to the printing industry
- 16.6.2 Chemical auxiliaries relating to the printing industry

16.7 Colourants and chemical auxiliaries relating to the embroidery, braiding and garment making industry

- 16.7.1 Dyes and pigments relating to the embroidery, braiding and garment making industry
- 16.7.2 Chemical auxiliaries relating to the embroidery, braiding and garment making industry



Chapter 17

Equipment And Products To Ensure Machinery And Plant Operations

- 17.1 Antistatic equipment
- 17.2 Lubricating equipment, including mixers and lubricants/oils
- 17.3 Power transmission equipment: electrical motors and drives
- 17.4 Air conditioning plants
- 17.5 Air humidifiers

17.6	Air compressors
17.7	Steam generators
17.8	Specialised lighting and lighting fixtures
17.9	Safety equipment to protect workers (e.g. work clothes, ear protectors, safety devices)
17.10	Other equipment and products to ensure machinery and plant operations



Chapter 18

Services For The Textile, Garment Making And Other Textile Processing Industry

18.1 Technical information sources

18.1.1 Technical publications (including online publications)

18.2 Other related services

- 18.2.1 Creative services for palette development, fabric and garment design
- 18.2.2 Textile and garment logistics
- 18.2.3 Pre-retail services
- 18.2.4 Industrial plant planning
- 18.2.5 Textile recycling companies (for recycling equipment, see Chapter 14)
- 18.2.6 Testing and verification services
- 18.2.7 Textile industry consultants
- 18.2.8 Leasing and financing services



Chapter 19

Research And Innovation

19.1	Universities, colleges and other educational institutions for the textile industry
19.2	Research institutions for textiles, technical textiles and garments
19.3	Research institutions for environmental studies
19.4	Standardisation organisations
19.5	Councils for the environment
19.6	Network of textile research organisations



ITMA ASIA + CITME

SINGAPORE 2025

28 – 31 October 2025
Singapore Expo



ANNEX II

TECHNICAL REGULATIONS



B1 Introduction

The Technical Regulations, which form part of the ITMA ASIA + CITME, Singapore 2025 General Regulations, contain the legally binding text of the ITMA ASIA + CITME, Singapore 2025 Technical Regulations. The English version of the Technical Regulations is the official version.

B2 ITMA ASIA + CITME, Singapore 2025 Exhibition Service Team & Onsite Management

ITMA ASIA + CITME, Singapore 2025 will be held in the halls of Singapore Expo between 28 and 31 October 2025.

B2.1 ITMA ASIA + CITME, Singapore 2025 Exhibition Service Team (SG25 Service Team)

The SG25 Service Team comprises the Organisers' operations team and the following key service partners and their appointed contractors:

- Singapore Expo (Venue): Constellar Venues Pte Ltd
- Technical Service Provider (TSP): Pico Art International Pte Ltd
- Onsite Logistics Contractor (OLC): Schenker Singapore (Pte) Ltd

B2.2 Onsite Management

Hall Managers with the key service partners will be available onsite to advise exhibitors on services available to them, and on regulatory and other operational issues.

Exhibitors are responsible for damage and losses caused to any individual, or property, by their staff or by their contractors, equipment, objects, or machines used on the premises of the Venue.

Exhibitors must grant free access to all stand equipment and premises to staff or representatives of the Organisers, the SG25 Service Team and their contractors, as well as to the representatives of the Combined Exhibition owners.

B3 Technical Service Centres

The Technical Service Centres (TSCs) are the onsite one-stop offices strategically located to ensure that exhibitors will be provided with the necessary support in proximity when needed.

Each TSC is led by an ITMA ASIA + CITME, Singapore 2025 Hall Manager (email: service@itma.com) and representatives from the key service partners:

- **Hall Manager:** Organisers' operations team member supporting exhibitors on regulatory and other operational matters, and ensuring smooth delivery of services provided by the TSP and OLC according to the exhibitors' requirements.
- **Technical Service Provider (TSP):** Representative of service partner providing technical services, and other services such as stand furniture/decoration, internet, IT/AV equipment.
- **Onsite Logistics Contractor (OLC):** Representative of service partner providing lifting services, positioning of machinery, storage services, replenishing of demonstration materials and removal of fabric demonstration waste.

B4 Technical Specifications of the Halls

Hall	2, 3, 4, 5	6	7, 8
Length (approx.) (m)	99.6		144
Width (approx.) (m)	96.4		69
Gross exhibition area (sqm)	10,043	9,822	9,936
Load bearing capacity (kN/m ²)	30		20
Height of hall (m)	10 to 16		8 to 10
Freight door dimensions (width x height) (m)	7.3 x 5.9		7.7 x 7.5
Heating and ventilation	All halls are air-conditioned		
Fire safety	Fire sprinkler system, hose reels, extinguishers		
Stand construction maximum height (m) *	6		
Double-storey	Allowed in all halls		

All halls are column-free.

All dimensions and halls specifications indicated in the regulations and floor plans are at best estimates only. Exhibitors are advised to verify and confirm the actual dimensions onsite before commencing any construction. The necessary adjustments must be made to accommodate any such variation.

* Some stands may have stand construction height restrictions. Exhibitors must refer to the Stand Location Notification for their stand construction maximum height. See Article B8.3.

B5 Online Service Order Platform

The online service order platforms will be made available to all exhibitors via the Exhibitor Centre from 27 March 2025. These will include information and services provided by the Technical Service Provider and the Onsite Logistics Contractor.

B6 Performance Bond

A Performance Bond must be paid to the Technical Service Provider (TSP) by all exhibitors or their appointed contractors before stand construction commences. This Performance Bond is a refundable deposit and to be paid by 29 July 2025. Exhibitors who order shell scheme package from the online service order platform are not required to submit any Performance Bond.

The Performance Bond is calculated based on stand area per stand at SGD50 per sqm up to SGD5,000.

The Performance Bond serves to ensure that all rules and regulations of ITMA ASIA + CITME, Singapore 2025 are abided by and to cover any damages arising directly or indirectly from any infringement (see also General Regulations Article A17.2). The Performance Bond will be refunded to the paying party within 45 days after the end of the stand dismantling, provided that the stand dismantling is completed on time (by 1200 hours on 3 November 2025) and provided that no infringement has been made during the stand build-up, exhibition and stand dismantling periods. No Performance Bond will be refunded onsite.

The Performance Bond will also be applied to any costs incurred by the Organiser if the exhibitor or his stand contractor leaves waste generated during the stand build-up or dismantling periods in the halls and does not dispose of it correctly. The TSP will issue an invoice to the exhibitors or their appointed contractors informing them of such amount to be deducted from the Performance Bond.

If the Performance Bond amount is insufficient to cover the cost of the damages, the exhibitor has to remit the balance to the TSP as indicated in the statement of accounts. In the case of non-payment, any outstanding amount must be fully paid up before the errant exhibitor can be admitted for future events.

All bank charges in relation to the Performance Bond shall be borne by the exhibitor or contractor.

B7 Exhibition Stand Approval

B7.1 Submission of Stand Design and Exhibit Layout

All exhibitors must submit their stand design and exhibit layout plan online by 24 June 2025.

The stand design submission must include plan, elevation views and the following data:

a. Technical drawing information:

- Company name of the exhibitor as per stand space application
- Exhibitor's hall and stand number
- Dimensions of stand including walls, columns, beams and stand fitting materials etc. and scale used
- Indication of entrances to the stand and neighbours' stand numbers
- Indication of doors and their opening direction
- Indication of covered ceiling, if any
- Specifications of stand fitting materials, including labelling of flooring type, storage facilities etc.

b. Exhibit layout plan:

- External dimensions of exhibits (length, width and height in metres), including any overhanging or protruding elements
- Weight
- Electrical consumption (kW) for machinery in operation

c. Risk assessment and method statement

The SG25 Service Team may request exhibitors to provide additional details required for the stand design approval.

For exhibitors who order shell scheme packages directly from the online service order platform, these exhibitors are only required to submit an exhibit layout plan.

Exhibitors of stands with the following features must submit a structural plan with static calculations endorsed by a Singapore Professional Engineer (PE) and relevant authority (e.g BCA, FSSD), indicate the author of the calculations and full contact details:

- Rigging of overhead structures/elements
- Stands and structures exceeding 4 metres in height
In addition to the above data, exhibitors must submit:
 - Load transmission of pillars to the hall, static loads, usage loads etc.
 - Verification of solidity
 - A stand plan detailing the construction of the structure, measurements, its height and location
 - Detailed information on the stand fitting materials being used
- Double-storey stands, stands with bridges, stairs, cantilever roofs, galleries etc.
In addition to the above information, exhibitors must submit:
 - Description of every element of the structure
 - Plans of each level and details of handrails and staircases
 - Additional elevation drawings

B7.2 Stand Design Approval

Stand designs will be checked by the SG25 Service Team for compliance with the regulations.

Stand design approval may take 2 weeks if the submissions are completed by 24 June 2025 and in good order. Approval may take longer for submissions received after this date.

Exhibitors/appointed stand contractors will be notified in writing when their stand designs and exhibit layouts have been endorsed with the Organiser's stamp of approval.

B8 Stand Construction and Decoration

Stand construction will be permitted only with prior approval from the SG25 Service Team. The SG25 Service Team will check that stand fittings are constructed in accordance with the approved and endorsed stand drawings. If there is any deviation which contravenes the regulations stipulated in the General and Technical Regulations or which violates legal provisions, the SG25 Service Team is entitled to stop all work on the stand construction. A warning will be issued to these exhibitors in writing, requesting that the necessary steps be taken to comply with the regulations. If after having received a final warning, the exhibitor still contravenes the regulations, the SG25 Service Team is entitled to cut the power to the stand and/or close it down.

When required, the TSP may run electrical supply lines, internet cables, water/waste water and compressed air pipes and connections serving neighbouring stands across an exhibitor's stand.

B8.1 General Information

- a. Exhibitors and assembly personnel must abide by and ensure that their contractors and sub-contractors also abide by current legislations regarding the prevention of occupational hazards which may occur in the course of the work.
- b. Anyone working in the Venue must have a valid badge. To obtain the badge, exhibitors must complete the relevant registration form online. The badge must be worn at all times and is non-transferable.
- c. During the exhibition, build-up and dismantling periods, minors (aged 18 and below the age of 21) and/or young persons (aged 14 and below the age of 18) shall not be admitted into the halls. A person under the age of 14 shall not be admitted into the halls at all times.

At the sole discretion of the Organisers, minors and young persons may be allowed access into the halls but only under the following conditions:

- Minors must possess a valid work contract with the exhibitor or stand contractor.
- Young persons must submit an indemnity form signed by their employers and parents/guardians and to the SG25 Service Team.
- Exhibitors or stand contractors must notify the Singapore Commissioner of Labour when they employ young persons in an industrial setting.

The exhibitors/stand contractors and parents/guardians agree to fully release CEMATEX, Chinese Party, the Organisers and the Venue from any liability towards the minors and young persons, who will be under the exclusive control, authority and responsibility of the exhibitors/stand contractors at all times.

- d. All non-Singaporean contractors and their non-Singaporean sub-contractors appointed by exhibitors must apply for work permits to work in Singapore. The exhibitor must comply with the Singapore employment laws. For further details and clarifications, please visit the Singapore Ministry of Manpower website at www.mom.gov.sg.

B8.2 Stand Requirements

- a. Every stand must have floor covering.
- b. Every visitor must have free access to the exhibits. All exhibits must be visible by a person standing in the aisles and must be shown in accordance with the safety regulations.
- c. Exhibitors should include cabinets or purpose-built storage rooms to ensure that stands are always neat and tidy.
- d. It is permitted to present videos, films and slides. However, all audio must be arranged in such a way as to avoid any disturbance to visitors and neighbouring exhibitors. See General Regulations Article A8.

B8.3 Build Height Restrictions

- a. Stand construction (including double-storey stands) must not exceed 6 metres in height from the ground, except those in between halls (see point 2 below). Stand and exhibit inscriptions, logos and trademarks must not exceed the maximum height of 6 metres (measured from the ground to the top of the inscription, logo or trademark). If banners/logos or promotional materials are hung from the ceiling of the halls using rigging, the top of the banner must not be any higher than 6 metres from the ground.
- b. For stands located in between Halls 1 & 2, 3 & 4, 4 & 5, 5 & 6, the maximum height allowed is 4 metres from the ground. For stands located in between Halls 2 & 3, the maximum height allowed is 2.5 metres from the ground. Exhibitors should refer to their Stand Location Notification for more information.

Exhibitors must indicate the height of all exhibits and stand fittings (including walls and hanging banners) on their stand plans to avoid delays in stand approval.

B8.4 Stand Area and Floor Marking

The stand area will be marked out. All construction and exhibits must fit within the exhibitor's stand space. No construction or decorative element may protrude out of the markings.

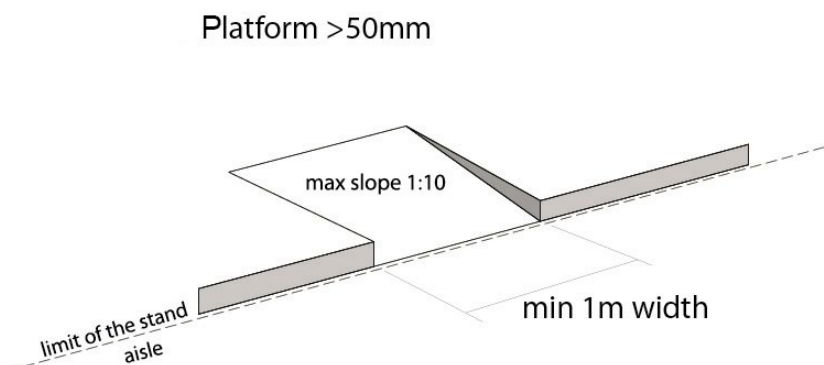
Displaying logos or branding outside of exhibition stands such as light beams or projections onto bare walls or gangways is not permitted.

B8.5 Stand Floorings, Platforms and Raised Walkways

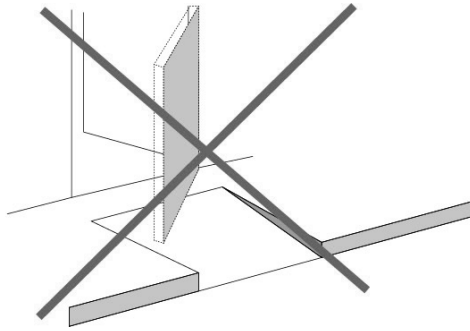
Platforms and carpets are the only authorised floorings, which must be removed by the exhibitor/stand contractor at the end of the exhibition.

Platforms and elevated walkways must be properly built, with sufficient resistance and stability for their construction and further use, considering the maximum floor loading of the exhibition floor.

Stands with an access platform or walkway higher than 50 mm, must have a ramp installed. The minimum width of the ramp should be 1 metre. The slope must be uniform, up to 1:10 and completely within the stand.



Level landings must be provided at the top and the bottom of the ramp and at every intermediate level where an exit door can be opened.



Exposed corners must be rounded or in bevelled angle to avoid becoming hazardous. Platform edges must be clearly highlighted.

B8.6 Stand Structure

The exhibitor is responsible for the structural safety of the stand. The structure and stand fittings must have the necessary rigidity and stability to ensure the safety of people and property.

Walls, doors, pillars, other parts of the structure, as well as all the technical facilities of the halls, shall not be used to support decoration or exhibits. In the case that the stand exceeds the load capacity of the hall floor, the use of a special structure may be required and it must be provided by the exhibitor.

B8.7 Stand Partitions

Every stand must have its own structural walls. All exposed rear surfaces of designs and structures must be finished in white and presentable without any logos or graphics.

Logos and trademarks of exhibitors on stand fittings, banners or any promotional materials on the sides facing the neighbouring stands are allowed if the stand fittings, banners or promotional materials is set back at least 1 metre from all boundaries of the stand, or a written approval from the neighbour is obtained by the exhibitor and submitted to the Organiser.

Logos and trademarks of exhibitors on stand fittings, banners or any promotional materials on the sides facing the hall facilities are permitted.

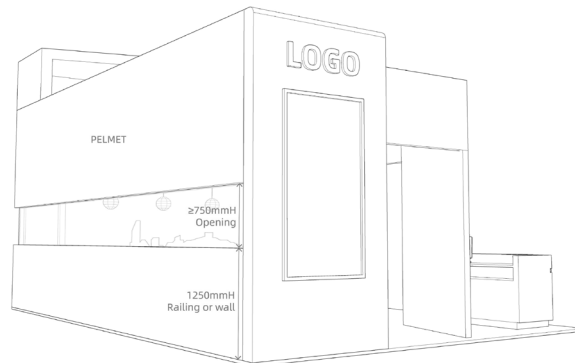
Erection of partitions or display boards that hamper the air-conditioning diffusers and airflow inside the halls is prohibited.

B8.8 Stand Standard of Presentation

No walls or cabins can be built along more than 50% of the length of each open side. The definition of a 'wall' is any structure which is over 1.25 metres high and which is not fully transparent, i.e., a solid wall, fabric, graphic panels, 'pop-up' displays, etc.

- a. The 50% rule will also apply to shell scheme packages.
- b. For the balance of the 50% of the open side, it is allowed for glass or Perspex walls to be used on the portion of the open side exceeding 50%. ONLY clear glass, Perspex or any other 100% see-through material as 'wall' will be allowed. This is to maintain the visibility objective.
- c. Exhibitors will be allowed to build walls or cabins extending beyond 50% of the length of the open side, provided that the portion of wall exceeding 50% is set back by at least 1.5 metres.
- d. Exhibitors will be allowed to use clear glass, acrylic such as Perspex or other see-through materials to cover 100% of any of their open sides, up to a height of 6 metres. Similarly, exhibitors will be allowed to cover 100% of any of their open sides with walls or railing NOT higher than 1.25 metres.
- e. The visibility into the stand through the open side covered by the clear glass, Perspex or any other 100% see-through material used as 'wall' must be always maintained. The placement of any object (eg. promotional materials, hanging of curtains) that may obstruct the visibility is strictly prohibited.

- f. A pelmet along the open side, as well as railing or wall not higher than 1.25 metres, is allowed as long as the opening in between the pelmet and the walls is at least 0.75 metres high and is at a height which allows visibility into the stand. This opening can only be closed with 100% see-through material. See below for illustration.



B8.9 Doors and Windows

The dimensions of doors must not be less than 2100 mm high and 850 mm wide. Doors and windows when opening outwards must be set back and not exceed the boundaries of the stand. All emergency exits must be free of obstacles at all times.

B8.10 Paintwork

- Spray painting is not allowed in the exhibition halls. Conventional painting practices within the exhibition halls are subject to approval from the Venue. Protective coverings must be used during all paint works to protect all walls, floors, fixtures and furnishings. Due to the proximity of the Mass Rapid Transit (MRT), storage of paint is not allowed in the service bay of the Venue. They must remain in the exhibition halls and be removed daily.
- Washing of all paint accessories is strictly not allowed in toilets. Only washing off of emulsion paint is allowed in designated areas at the service bay of halls. Exhibitors and their contractors caught flouting this rule will be charged for all costs incurred by the Venue (including man-hours incurred) to clean and remedy the breach and such persons may be barred from working in the halls.
- Conventional/emulsion paints must be non-toxic.
- Painting must be carried out in an area that is well-ventilated.
- The use of thinners and other similar chemicals in the conference halls and meeting rooms is strictly prohibited.

B8.11 Lighting

All lighting shall be distributed to avoid disturbing both visitors and neighbouring exhibitors. Installed lamps must not pose a fire risk and those installed at a height up to 2.5 metres must be protected in such a way so as not to pose a hazard to people. The use of strobe lighting and flashing lights is not allowed.

All emergency lighting fixtures installed must comply with Singapore Standard (SS) SS 563-2:2010 (2017).

B8.12 Rigging

All rigging operations and banners hanging from the hall ceiling must be carried out by the TSP.

All overhead structures/elements hung from approved ceiling trusses or rigging points using proper stranded steel cables must be endorsed by a Professional Engineer (PE) registered with the Professional Engineers Board (PEB) of Singapore. All overhead structures/elements including their location and nature of rigging/attachments must be approved by the SG25 Service Team. Such approval shall not involve the SG25 Service Team in any liability. The exhibitor will remain fully liable for any consequences relating to the overhead structures/elements.

Banners, logos, exhibitor names and other promotional elements attached to the rigging must not exceed 6 metres in height (measured from the top of the banner to the ground).

All banners/lighting rigs/ceilings that are hung from the roof of the hall must be contained within the space of the stand.

Rigging is not available in stands where the maximum height allowed is less than 6 metres from the ground.

B8.13 Air-conditioning

Air-conditioning systems on top of cabins are permitted, even if these exceed the regulatory height of 6 metres. It is not permitted to cover the air conditioning system nor to use it for promotional purposes.

Exhibitors with air-conditioning units in their stands will be requested to shut down their air-conditioning units should the temperature of the hall be affected.

No sawing or other working of wooden panels or any other materials that result in a powder residue is allowed in the halls when the air-conditioning is switched on.

B8.14 Exhibition Hall and Floor

No nails or screws or other piercing devices shall be driven or holes drilled into the walls, doors, pillars or other parts of the structure or walls of the exhibition halls.

All trenches on the hall floor must always remain accessible. For more information, contact the TSP.

No permanent markings/stains on the walls, structures, floors and ceilings of the exhibition halls shall remain at the end of the dismantling, whether in the form of carpet residue arising from adhesive single/double-sided tapes or otherwise. The exhibitor is responsible to clear all markings/stains at the end of the exhibition. Any markings/stains that are not cleared will result in TSP carrying out the corrective works. The Performance Bond (Article B6) will be applied to all costs incurred for the above. If the Performance Bond is insufficient, an invoice will be sent to the exhibitor for the balance amount payable. In the case of non-payment, any outstanding amount must be fully paid up before the errant exhibitor can be admitted for future events.

To avoid risks of fire and accidents, carpets and floorings, and all materials used for construction, must comply with standards set by the prevailing fire and safety regulations. Materials should specifically be non-combustible and have a minimum flame spread rating of Class 2 as stipulated under the Fire Safety & Shelter Department (FSSD) regulations.

B8.15 Maximum Floor Loading and Load Spreaders

Please consult the TSP to see technical floor plans for each hall.

Spreader plates are necessary if the static display exhibit exceeds the stipulated floor loading of 30 kN per square metre in Halls 2 to 6 and 20 kN per square metre in Halls 7 and 8. The Venue's safety officer has the right to inspect such static displays and the exhibitor shall comply with all directions and conditions set by the safety officer. These spreader plates must be arranged in advance with the TSP. Drilling of spreader plates onto the Venue's flooring is strictly prohibited.

B8.16 Ceiling Installations

Exhibitors may cover their stands. If the stand is completely covered, the fabric materials used to cover the stand must be of fire-retardant grade. Exhibitors must have the fabric materials' certificates and a fabric sample available for submission upon request by the SG25 Service Team.

B8.17 Internet Connection

There is a centralised exhibitor Wi-Fi network within the exhibition space managed by the Internet Service Provider appointed by the venue.

Exhibitors are permitted to install their own Wi-Fi network.

The Organiser reserves the right to shut down any Wi-Fi network interfering with the centralised networks.

B9 Fire Emergency Regulations

B9.1 Fire Exits and Escape Routes

During the exhibition, as well as build-up and dismantling periods, escape routes within the stand and hall must remain in good condition and free from any obstacles.

A minimum clearance of 1.5 metres is to be maintained from fire hose reels, fire alarm call points, fire extinguishers, and any other fire-fighting or fire protection systems.

Stands over 75 square metres require a minimum of two emergency exits. The two exit points must be spaced apart not less than half the distance of the longest diagonal of the stand. Each exit shall be of minimum 1 metre width. The exit capacity is based on a maximum of 60 persons per metre width of exit.

Illuminated "EXIT" signs with back-up power supply shall be installed at the designated exit points of enclosed rooms within stands. Enclosed rooms within stands with ceilings shall be fitted with emergency lighting with back-up supply. "EXIT" signs and emergency lightings shall be in accordance with the requirements of SS 563-2:2010 (2017).

"EXIT" signs shall not be obstructed by any structure or fittings.

If seats are to be provided for the audience, the maximum number of seats in a row shall not exceed 12. An aisle of minimum 1.5 metres shall be provided. The occupancy rate of a maximum of one person per 1.5 square metres shall be observed.

B9.2 Material Specifications

All materials used for the construction of exhibition stands shall be non-combustible, complying with British Standard (BS) 476: Part 4 or 11, or have a minimum flame spread rating of Class 2 of BS 476.

Roofing or false ceiling of stands shall be of minimum Class 2 surface flame spread rating supported by test reports/certificates issued by internationally recognised testing laboratories.

Overhead fabric materials used as stand covers, canopies, tents, or used as curtains or draperies, shall have a minimum surface flame spread rating of Class 2.

Use of flammable decorative materials such as plastics, paper, foam and thin strips of timber should be limited and confined for decorative purposes. Use of combustible decorative materials should be maintained at the minimum level within the stands and not used for general wall covering.

B9.3 Fire Extinguishers

At least one 4 kg powder fire extinguisher should be provided at stands only for machinery in operation, as such exhibits have a potential to catch fire.

B9.4 Fire Sprinklers and Alarms

No objects are to be attached to or suspended from the sprinkler heads. The sprinkler system is designed to tolerate up to a maximum temperature of 68 degrees Celsius. It is therefore necessary to ensure that spotlights and other heat-generating equipment are not focused on or stationed too near to the fire sprinklers.

Stands with ceiling shall be provided with a temporary sprinkler, or any other automatic fire extinguishing system for every 12 square metres of covered area.

B9.5 Storage

Storage of containers, packaging or any flammable materials in the stands is strictly not allowed.

B9.6 Flammable Gases and Liquids

Activities involving the use of flammable gases and liquids shall not be allowed unless prior approval from the relevant regulatory body is obtained.

B9.7 Dangerous/Hazardous Materials

- a. Unless otherwise approved by the relevant government authorities in writing, and subject to approval from the SG25 Service Team:
 - i. No naked flame and lamps or temporary gas may be used in the exhibition halls.
 - ii. No explosives, weapons and highly flammable toxic or corrosive substances are allowed in the exhibition halls.
- b. Radioactive substances are not allowed into the exhibition halls unless all relevant authorities have inspected and approved such a request and the SG25 Service Team has approved it. In addition, all necessary protection to safeguard against accidents must be undertaken by the exhibitor at its cost.
- c. Where toxic materials or fluids or gases are to be used, all procedures including disposal and waste removal require notification to the relevant regulatory authorities. These include waste oil, spent solvents, waste acids and alkalis, and waste sludge. The SG25 Service Team must be advised in writing at least four months before the start of the exhibition, the nature of the material and the quantities involved. The SG25 Service Team's approval must be obtained before such matters are brought onto or kept in the exhibition halls.
- d. The approvals above will not involve the Venue and Organisers in any liability and the exhibitor will remain fully liable for any consequences relating to the relevant matters.
- e. No LPG gas is permitted within Singapore Expo, unless the prior written consents of the Venue and Singapore Civil Defence Force (SCDF) have been obtained before any usage; and where applicable, fulfilment of all conditions imposed with the grant of the aforementioned consents.

B9.8 Use of Motor Vehicles in Stands

When featuring any exhibits with fuel tanks, including vehicles, boats, plant or machinery, the following additional precautions are to be taken:

- a. The fuel tank should contain the absolute minimum necessary, i.e. only the amount required in moving the exhibit into/out of the venue.
- b. Emptying or filling of fuel tanks must not be done anywhere in the venue during the exhibition's opening hours.
- c. The fuel tank must be fitted with a lock or otherwise secured fuel cap.
- d. A drip tray shall be placed under the display vehicle to prevent any form of oil leakage.
- e. Internal combustion engines must not be running during the exhibition.
- f. All batteries must be fully disconnected and made safe.
- g. A portable fire extinguisher is to be placed on standby at the stand. A maximum of 3 vehicles may be placed in close proximity to 1 fire extinguisher.
- h. The location of vehicle shall not obstruct or block exits or egress routes in any way.

B9.9 Welding and Hot Works

The Venue would consider each case on its own merit in allowing hot works involving cutting, welding demonstrations and pyrotechnics, subject to the following conditions:

- a. All exhibitors must seek prior approval from the Venue through the SG25 Service Team regarding such demonstrations.
- b. The stands requiring these demonstrations must be clearly indicated in the layout and sketch plans at the time of submission for approval.
- c. Demonstrations must be carried out on concrete or on ground protected by heat resistant material at the cost of the exhibitor.
- d. All safety measures should be provided to ensure all persons are not exposed to any danger or risks from the hot work demonstrations.
- e. Fire extinguishers should be provided for this area. Exhibitors would have to abide by any other recommendations made by the fire and safety authorities.
- f. Any approval of such hot works will not involve the Venue and Organisers in any liability.

B9.10 Smoking

Under the Smoking (Prohibition in Certain Places) Act (Cap 310), smoking is strictly prohibited in the halls, toilets, all air-conditioned areas and within 5 metres of all entrances and exits of the venue. Any person who smokes within the venue shall be guilty of an offence.

B10 Machine Safety and Demonstration of Exhibits

B10.1 Demonstration of Exhibits and Safety Devices

All machines and equipment (whether in operation or not) shall be effectively guarded to prevent injury and, if necessary, shall be adequately fixed to the hall floor to ensure continuous safety and stability.

A list of all machines or equipment which are to be demonstrated in operation must be declared through the stand plans for approval by the SG25 Service Team.

Machinery and equipment components may only be operated if all relevant safety devices are in place. The standard safety devices can be replaced by a secure covering made of organic glass or another suitable, transparent material.

Special precautions for live machinery demonstrations

- a. Machines may not be demonstrated or brought into operation without the presence of a qualified operator on the stand.
- b. All machinery must be correctly stabilised to prevent movement.
- c. All presentations and demonstrations are the sole responsibility of the exhibitor.
- d. No machine must be operated or accessible to visitors and exhibitors unless the required guards and safety appliances are in position, properly adjusted and in full working order.
- e. No person shall demonstrate or operate a machine unless he/she has received appropriate training and clear instructions; both in relation to the operation of the machine and his/her responsibilities to the members of the public in both normal and emergency situations.
- f. Suitable, clearly visible and accessible emergency stop controls must be available.
- g. All sources of power to and from the machine including electrical, pneumatic and hydraulic, should be provided with an isolator which must be switched off when the machine is not being demonstrated by an authorised user.

- h. All machinery at the exhibition must use the correct guards, control systems and warning signs, especially when cleaning, calibrating and checking production quality.
- i. All machinery exhibited and in operation exceeding 70 dB must have in-built volume regulators and/or noise diffusers; and provide silencers, ear plugs or ear defenders to the participants at the stand.
- j. Adequate extraction or other equally effective methods must be provided for dust, chips and fumes. Where necessary, appropriate explosion release and fire prevention measures must be incorporated.
- k. Adequate lighting must be provided both for the machine and its surrounding area.
- l. Where appropriate, screens must be used to provide adequate eye protection to members of the public.
- m. Persons demonstrating machines must wear adequate personal protective equipment where appropriate.
- n. Where demonstrations are likely to create toxic or noxious fumes or unacceptable strong-smelling odours in the hall, consideration must be given to providing exhaust to the atmosphere. See also Article B9.7.

Exhibitors must not demonstrate machinery in a way that will cause a nuisance to neighbouring exhibitors particularly in respect of the production of heat, vibration and/or pollution due to solvents or excessive noise.

With regard to all health and safety matters, the SG25 Service Team decision is final. The SG25 Service Team may at any time forbid the operation, exhibition or presence at the stand of machinery or equipment, if in its opinion, it jeopardises the safety of visitors and exhibitors or causes excessive inconvenience, pollution or noise. Failure to abide by the decisions of the SG25 Service Team may result in the prohibition to demonstrate the said exhibits, to restrict their use at the exhibition stand and/or other appropriate action.

When equipment is not operated, the safety devices can be removed to give visitors a clearer view of the design and construction of the normally covered components. The safety devices must then be clearly displayed next to the machine.

B10.2 Decommission of Power Supply

Decommission of power supply: 31 October 2025 at 1700 hours.

Exhibitors who require power after 31 October at 1700 hours must apply onsite to the TSP.

B11 Double-storey Stands, Platforms and Raised Walkways

B11.1 General Information

The SG25 Service Team reserves the right to request static calculations for those constructive elements that may pose a risk to the stability of the stand.

B11.2 Double-storey Stands

In addition to Article B8 and SS 539:2008, exhibitors must bear in mind the following regulations:

- The design of a double-storey stand must be approved by the SG25 Service Team.
- Capacity of the upper floor: 1 person per 1.5 square metres. A sign, indicating the limitation of occupancy load, should be visibly placed at the bottom of the staircase.
- The upper storey of double-storey stands with a floor area of 75 sqm or more (i.e. able to accommodate 50 persons or more) shall be provided with a minimum of 2 staircases.

Glazing

All glazing used at the stands must be safety glass (laminated or tempered) and of a minimum of 6 mm in thickness.

Glazing panels must meet the following thickness requirements:

- 8 mm to 1,100 mm x 1,100 mm
- 10 mm to 2,250 mm x 2,250 mm
- 12 mm to 4,500 mm x 4,500 mm
- 15 mm - No limits

When clear glass or acrylic panels or other relatively transparent medium are used as partitions or doors, adequate markings must be provided to ensure that they are clearly visible as a barrier.

Staircases

Staircases shall be of minimum 1200 mm width, with handrails placed at a height of 1000 mm from the treads at each storey. The side of the staircases shall be provided with skirting boards.

In section, the depth of each step should be minimum 300 mm and the riser shall not be more than 175 mm in height. All treads and risers of a straight staircase must have the same depth and height, respectively.

A minimum head clearance of 2000 mm is to be provided.

Landings between the sections of a staircase must be as wide as the tread and 1200 mm minimum in depth.

Fire Safety

On the second floor, at least one fire extinguisher must be provided.

Any enclosed space under a staircase in double-storey stands shall be protected by a temporary automatic fire extinguishing system.

B12 Workplace Safety & Health

Under Workplace Safety and Health Act, every contractor must submit the Risk Assessment (RA) and Safe Work Procedures (SWPs) to the Organiser prior to the commencement of work. The RA and SWPs must be submitted by a competent person who has attended a risk management course conducted by a Ministry of Manpower (MOM) Approved Training Provider or equivalent. A copy of the training certificate must be submitted together with the RA and SWPs. These information should be submitted with the stand design. See Article B71.c.

Additional safety information to note:

a. Keep Clear Zone

During move-in/out, there are keep clear zones designated as emergency aisles for evacuation and access for emergency vehicles and these must be kept clear at all times. The doors and gates along escape routes must be kept free from obstructions on the inside and outside, and they must be able to be opened easily from the inside in their full width.

b. Personal Protective Equipment (PPE) must be worn during build-up and dismantling.

Minimum requirements:

- Safety shoes
- Safety vest

In addition to the safety shoes and vests, all workers in the venue should wear safety helmets/hard hats and harnesses in all areas where there is work activity taking place overhead such as, but not limited to:

- Areas where any hoist, mobile elevated work platform (MEWP) or other overhead lifting device is in operation.
- Areas where there is a possibility of falling objects; e.g. where persons are working overhead.
- Areas where impact to a person's head may occur.

Harnesses must be worn when working at heights.

Safety glasses and gloves are required for cutting and grinding works.

Venue Fire Command Centre Contact Numbers

- Fire Command Centre 1 (Halls 2-6 & meeting rooms) +65 6403 2500 & +65 6403 2501
- Fire Command Centre 2 (Halls 7-8) +65 6403 2502

Complementary Safety and Health Measures

- Access to restricted areas is strictly prohibited.
- Operating the breakers or any other work equipment at the facilities is prohibited except with authorisation.
- The contracting company shall be responsible for comprehensively notifying its workers, subcontractors and freelancers about the content of these instructions and the Workplace Safety & Health Guidelines.
- If you have questions before or during the execution of the works, please contact the TSP.

B13 Electricity

All electrical installation work from source of supply at the exhibition must be carried out solely by the TSP.

Exhibitors requiring different voltages, stabilisers, frequency or special connections to equipment should arrange for their own transformers, converters, boosters, etc. and keep the TSP informed.

Exhibitors or their stand contractors must have a qualified electrician to carry out the electrical works at the stand. For electrical power main orders, exhibitors must submit the following information:

- Single Line Drawing (SLD) endorsed by a Licensed Electrical Worker (LEW) registered with the Energy Market Authority (EMA) of Singapore
- LEW's details

All electrical equipment should be tested and approved by the TSP's appointed licensed engineers prior to turning on the electrical supply.

Exhibitors are advised to contact the TSP should they require any clarification on electrical installation in their stands.

The Organisers reserve the right to disconnect the electrical supply to any installation, which in the opinion of the TSP or the Venue is dangerous or will cause annoyance to visitors or to the other exhibitors.

The SG25 Service Team will not be held responsible for any damages or losses originating from the interruptions in the power supply from the electricity company. The electrical connections in the venue are carried out using three-phase CEE plug connectors.

B13.1 Main Power Supply Cable

Each electrical outlet provided is intended for the direct connection to one (1) item requiring electrical supply. Connections made with multi-point sockets are not permitted as an overload may occur, resulting in a short circuit in the incoming power supply.

Please note that the physical environment/conditions of the venue may be different from those in exhibitor's premises which may affect the stability of electrical supplies and installations; and thus allowances must be factored into the orders made and as a rule-of-thumb, 80 per cent (80%) is deemed a full load.

All the supply boxes and the service trenches of the venue must remain accessible. The connection to the trench or other channel must only be made by the TSP.

B13.2 Electrical Switchboard of the Stand

The main electrical distribution switchboard must have a thermal-magnetic circuit breaker. Fuses are not allowed.

The main circuit breaker must correspond with the power ordered with the TSP.

All lighting circuits and outlets of less than 32 A shall be protected with 30 mA residual current circuit breaker (RCCB). All electrical equipment that is accessible to exhibitors and visitors must also be protected with 30 mA RCCB.

All circuits must be protected against over currents with omnipolar cut off (phase-neutral) in its origin.

All switchboards must be opened only with the help of a tool.

For indoor areas, the switchboards will have a minimum protection level of IP 44 and for outdoor areas IP 65.

Switchboards and their electrical connections connected to the 24-hour service circuit must be independent from the daytime switchboards (working hours).

B13.3 Electrical Specifications

Supply Voltage

- 400 V, 3-phase 5-wire systems with neutral point solidly earthed
- 230 V, single-phase 3-wire system with neutral point solidly earthed

Voltage level: maintained within $\pm 6\%$

Frequency: 50 Hz maintained within $\pm 1\%$

Power Factor: No less than 0.85 lagging

Electrical Loading

- Halls 2 - 6: maximum electrical load of 2,000 KVA per hall
- Halls 7 - 8: maximum electrical load of 500 KVA per hall

The following must be complied with:

Starting arrangement of motors: All motors must have independent automatic protection against excessive current using of the following starters:

- Up to 5 HP: Direct-on-line
- 5 to 25 HP: Star-Delta
- Above 25 HP: Auto transformer

B13.4 Periods of Power Supply

Exhibitors can choose between an intermittent connection and a permanent connection. The intermittent connection includes electrical consumption and this is included in the stand space rental for the periods shown in Article A11 of the General Regulations. The permanent connection will be chargeable to the exhibitors, and charges already consider the value of the intermittent connection. Permanent connections are relevant for operating outside the standard hours of the intermittent connections.

Intermittent connections will be switched on as follows:

	Stand Build-up		Exhibition Period		Stand Dismantling*	
Date (2025)	22 - 26 October	27 October	28 - 30 October	31 October	1 - 2 November	3 November
Start (hrs)	0800	0800	0800	0800	0800	0800
End (hrs)	2000	1800	2000	1700*	2000	1200

If exhibitors wish to change the intermittent connection to a permanent connection, they must apply to the TSP before 1200 hours on the day concerned. Additional cost will be at the expense of the exhibitor and supply is not guaranteed.

Stands may be dismantled only from 0800 hours onwards on 01 November 2025. Hand-carried items (accessories, computers, advertising documents, etc) can be removed from the stand on 31 October 2025 from 1700 hours to 2000 hours.

* Exhibitors who require power after 31 October must apply onsite with the TSP by 30 October 2025.

B14 Water

Exhibitors must order water connection services, including pipes, from the online service order platform.

B14.1 Connections

Water/waste water facilities from the trenches to the stands may only be installed by the TSP and/or a contractor appointed by it. The water/waste water installations encompass the main water connection (supply and drainage) with supply and drain pipes as well as a water meter if applicable. The exhibitor is not allowed to obtain water for his stand from persons who are not authorised by the SG25 Service Team. Exhibitors are expressly forbidden to obtain water from neighbouring stands.

Connection plans indicating the required position of the connections should be uploaded onto the online service order platform. The exhibitor must ensure that the water/waste water installation ordered is able to cater for the exhibits and amenities to operate efficiently.

Water/waste water piping in the halls will be pulled from utility trenches, and may under certain circumstances have to be run above ground if the location of the connection point makes this necessary.

Should the exhibitor require piping to be laid across public aisles or third-party stands, prior approval must be obtained from the SG25 Service Team. Any piping laid in this respect must give due consideration to the safety of exhibitors and visitors, and be paid for by the exhibitor concerned. Waste water polluted with chemicals must not be fed into the sewage system.

For safety reasons, the water supply will be cut off at the end of each exhibition day. Please see Article B14.3 for the schedule of water supply.

B14.2 Stand Installation

Plumbing facilities (water/waste water facilities) within the confines of the stand can be installed by the exhibitor's plumbers who are approved plumbing contractors in accordance with relevant Singapore standards and accepted technical practice. Plumbing work within the confines of the stand can also be carried out by the TSP and/or its appointed contractors.

B14.3 Periods of Water Supply

The supply of water will be available as follows:

	Stand Build-up		Exhibition Period	Stand Dismantling	
Date (2025)	22 - 26 October	27 October	28 - 31 October	1 - 2 November	3 November
Start (hrs)	0800	0800	0800	0800	0800
End (hrs)	2000	1800	2000	2000	1200

Exhibitors who require water supply outside of these hours should request a quotation from the TSP.

B15 Installation of Compressed Air Facilities and Tubes

The provision of exhibition stands with compressed air is possible in each hall. It generally occurs via a connection to a compressor station.

Any connections, machines or equipment that have not been authorised, do not comply with the relevant regulations, or use more compressed air than indicated in the application are prohibited. They can be removed from the stand and put in storage by the TSP at the expense and risk of the exhibitor. The SG25 Service Team cannot be held responsible for any damage resulting from these measures.

B15.1 Compressed air facilities by TSP

Compressed air facilities from the TSP's own mains to the individual stands may only be installed by the TSP. The TSP reserves the right to install a compressor for the supply of compressed air at the stand.

Exhibitors shall order the compressed air point and supply on the stand through the online service order platform.

Exhibitors requiring cleaner and drier air can obtain quotations for additional filtration from the TSP.

For safety reasons, the compressed air supply will be cut off one hour after the end of the exhibition on each day.

Compressed air installation work within the confines of the stand can be carried out by the exhibitor's own fitters or approved contractors in accordance with Singapore standards and accepted technical practice.

B15.2 Air Compressors Installed by Exhibitors

Exhibitors who wish to bring their own compressors must inform the TSP by 29 July 2025 and is subject to the TSP's approval. The sound level of the compressors installed at the stand, measured at the stand perimeter must not exceed 70 dB.

B15.3 Pressure Vessel Cylinders

Pressure vessel cylinders, liquids or gases must be constructed and stamped in accordance with recommendations of the regulatory body and the cylinders must be painted with identifying colours in accordance with international standards. Only one cylinder at any one time is to be introduced on the stand. Spare cylinders should be stored in space pre-determined and approved by the TSP and in the correct method of storage and position. Pressure vessel cylinders must not be connected or disconnected while there are visitors at the stand.

B16 Anchorage Bolt Holes, Grooves and Channels

Anchorage bolt holes can only be provided by the appointed TSP.

Exhibitors requiring anchorage bolt holes to secure their machinery must submit a request to the TSP by 29 July 2025 through the online service order platform for assessment and confirmation. They are not allowed to drill holes on the hall floor and restore the floor on their own.

Anchorage bolt holes maximum dimensions

- Depth: 125 mm
- Diameter: 20 mm

An additional charge will be levied for any alteration of anchorage bolt holes onsite. To avoid disruption, exhibitors are requested to submit this request as early as possible.

The cutting of grooves or channels on the floors for laying cables or other conductors is forbidden in the halls. For safety reasons, exhibitors must protect cables and connections running on their stand with floorboards or cable covers.

B17 Cleaning, Waste Disposal and Toxic Waste

B17.1 General

All construction debris and waste generated must be cleared daily.

Only the Venue's appointed cleaning contractor is allowed to provide rubbish trucks or skips services.

Each person generating waste is obliged to comply with the regulations required by law and the relevant authorities as well as with the following provisions:

Should the given person generating waste be working directly or indirectly on behalf of an exhibitor, the latter is then deemed to be responsible for this person's behaviour too. If the person generating waste fails to comply with the regulations required by law or the relevant authorities or with the following provisions, the SG25 Service Team is entitled to assert claims against the person concerned, as well as against the exhibitor on whose behalf the person generating waste is directly or indirectly working for. In such cases, the person generating waste and the exhibitor are deemed to be jointly and severally liable.

B17.2 Waste Disposal

Exhibitors and their appointed contractors are obliged to do their utmost to avoid generating waste, such as stand building materials, stand elements, floor covering, bulky waste, machinery and parts of machinery, etc. in all phases of the exhibition.

Skips can also be hired from the Venue's appointed cleaning contractor during the build-up and dismantling periods but these will be towed away daily to avoid congestion. Exhibitors must ensure that their contractors cart away debris and waste accumulated for the day if a skip is not required.

No debris or waste is to be dumped at any part of the venue or at the exhibition hall's refuse centre or into trenches, gullies, sumps, drains and culverts of the drainage system at the venue. All waste must be properly disposed of and through the proper sewage channels and not poured into the trench system.

Arrangements must be made with the OLC to remove their demonstration fabric wastes. This service (see General Regulations Article A11) can be ordered through the online service order platform. Exhibitors who wish to keep their waste materials may remove them after 1800 hours during the exhibition period. Exhibitors should make this request with the SG25 Service Team in writing by 1200 hours on the day concerned.

B17.3 Toxic Waste

Where toxic materials or fluids or gases are to be used, all procedures including disposal and waste removal require notification to the relevant regulatory authorities. These include waste oil, spent solvents, waste acids and alkalis, and waste sludge. The Venue must be advised in writing at least four

months before the start of the exhibition of the nature of the material and the quantities involved. The Venue's approval must be obtained before such matters can be brought into or kept in the exhibition halls.

B18 Catering

Exhibitors can order catering services with the Venue through the online service order platform. Alternatively, exhibitors can contact the Venue at esc.sales@constellar.co.

Exhibitors are not allowed to appoint any external caterers to provide food and drinks for consumption at their stands.

B19 Security and Security Personnel

The Organiser will provide general security at the entrances and in the halls. The Venue has a CCTV system which covers the common areas and main access to the halls. The Organiser offers no guarantee that the exhibition grounds will be supervised and monitored continuously.

The Organiser is authorised to implement any measures it deems necessary for monitoring and supervision purposes. Supervision of stands, the items on display and any other objects located at the stands is not the responsibility of the Organiser.

Exhibitors can engage private security services should they require extra security for their stands, through the online service order platform. No other private security services are permitted onsite.

Exhibitors' attention is drawn explicitly to the fact that stand exhibits and other items on the stand are particularly at risk during the stand build-up and dismantling periods. Exhibitors are responsible for the security of items of value and/or those that can be easily removed, and these items should always be locked away at the end of each exhibition day.

B20 Logistics, Freight Forwarding and Lifting

B20.1 Onsite Logistics Contractor

Schenker Singapore (Pte) Ltd is the appointed ITMA ASIA + CITME, Singapore 2025 Onsite Logistics Contractor (OLC).

The OLC is responsible for the services listed in the General Regulations, Article A11.1, A11.2, A11. 8, A11.9 and A11.10.

The OLC exercises sole handling rights at the exhibition grounds, which include:

- Unloading of goods, stand structures, etc, to the stands.
- Provision of any auxiliary equipment required such as cranes and forklift trucks for assembly and dismantling.
- Removal, storage and return of full and empty cases.
- Reloading of goods, stand structures, etc, from stands onto the vehicles at the end of the exhibition.

Handling operations provided by the OLC will be carried out in accordance with the schedule created by the OLC and the SG25 Service Team.

Only the OLC may be appointed to render these services at the venue. The Organiser assumes no liability whatsoever for any risks arising from the activities of the OLC.

To facilitate handling operations and protect machinery from damage, boxes and machines must be fitted with the necessary lifting points. Boxes and machinery must be clearly identified by affixing identification labels.

B20.2 Guidelines for Deliveries and Collections

The schedule for deliveries and collections is as follows:

	Stand Build-up		Exhibition Period	Stand Dismantling	
Date (2025)	22 – 26 October	27 October	28 – 31 October	1 – 2 November	3 November
Start (hrs)	0800	0800	0800	0800	0800
End (hrs)	2000	1800	2000	2000	1200

All vehicles arriving with goods must report to the marshalling yard that has been designated to them by the OLC in order to receive an access pass.

Drivers must follow the procedure of reporting to the marshalling yard where instructions will be given on subsequent movement to the halls. Entry to the venue will only be granted after having obtained the access pass from the OLC.

Access into the halls is not allowed during exhibition hours.

All vehicles must leave the halls, and loading and unloading areas immediately after goods have been loaded/unloaded.

The Organiser reserves the right to control access, and access may be subject to:

- The presentation of any document certifying the content of his vehicle by the driver.
- The SG25 Service Team having to access a vehicle to inspect its content.

B20.3 Transportation of Machines and Other Exhibits

Goods without any exception must be sent “prepaid” including all other expenses to the venue. The OLC must be notified well in advance through the LIFT ordering platform. Exhibitors are free to contract their own freight forwarding company to handle their shipment up to its arrival at the venue. Shipments for which the OLC has not been notified may cause a delay in delivery to the stand and possible additional cost.

B20.4 Customs Clearance

All customs documents must be sent well in advance of the shipment arriving to the OLC, in accordance with the deadlines set out in their customs instructions document. More information on the customs clearance procedure is available in the LIFT ordering platform.

For temporary importation

All goods must be accompanied by a combined invoice and packing list which is specific to ITMA ASIA + CITME, Singapore 2025 or an ATA Carnet. The OLC can provide information on these procedures. The OLC is also responsible for co-ordinating the temporary importation procedures.

For permanent importation (Goods that will remain in Singapore)

Goods will require a combined invoice and packing list (same as for temporary importation above).

The OLC will co-ordinate the application procedure with the local customs authorities and take care of any necessary further steps.

Exhibitors who intend to import foodstuffs and beverages must liaise well in advance with the OLC to find out if those items are acceptable for import into Singapore.

B20.5 Arrival of Exhibits and Delivery to Stands

All arrivals of exhibits and deliveries to the stand will be co-ordinated by the OLC based on the information provided in the LIFT ordering platform. Exhibitors will be advised of the schedule for delivery of goods to the stands by the OLC.

All costs incurred as the result of late arrival, non-presence of the exhibitors and non-observance of scheduled delivery dates will be charged to the exhibitors.

Upon arrival at the venue, all delivery drivers must present their access pass with the relevant details to the venue marshalling team and they will be directed to the unloading area. Please contact OLC for more details.

Co-ordinating the unloading of exhibits from goods vehicles and transporting them to the stands during the build-up period will be carried out exclusively by the OLC.

The completion of service and liability of the OLC ends after the delivery of the exhibits to the stand (one-time positioning), even if the exhibitor's representative is not present during the scheduled appointment. Additional costs are applicable for repositioning the exhibit if the exhibitor's representative is not present at the requested delivery date.

B20.6 Onsite Machinery Positioning Schedule and Management

Machinery positioning shall be subject to a scheduling system to minimise delays. The preferred time for delivery and machinery positioning can be booked using the LIFT ordering platform. Should the timing differ from the requested timing, exhibitors shall be informed accordingly.

B20.7 Packing Materials: Collection, Storage and Return

During stand build-up, exhibitors must keep the empty packing materials on their stand ready to be collected by the OLC throughout the day. Handling of empty case storage of stand fitting materials is not included in the stand space rental and will be invoiced separately by the OLC.

Packing materials left in the aisles will be considered as waste and will be collected by the official cleaning contractor for permanent removal.

Empty packing materials are collected from the stand by the OLC after delivery and installation of the machinery.

Empty packing materials must be clearly marked with the stand number and company name so that they can easily be returned at the end of the exhibition (labels will be provided by the OLC). Empty packing materials will be returned to stands from 2000 hours on 31 October 2025, after the exhibition halls have closed.

For larger items that may cause obstruction in the aisles, the OLC will check with the exhibitors on site before proceeding with any such deliveries.

The storage of empty packaging, packing material on stands and outside stands in the hall or in the loading yard is prohibited. The storage of such items at the venue is handled by the OLC.

All stored materials must be in suitable condition for storing and transportation. Damaged or unsecured items may be rejected as storage items and the OLC will take no responsibility for these items.

The OLC is not liable for any materials left inside the packing materials which have been declared and handed over to the OLC as empty packaging materials.

The accumulation of boxes, wood, straw, cardboard, textile materials and any other items or materials, irrespective of whether they are flammable, is not permitted on the stands, in the aisles, in spaces between stand partitions or in the halls.

B20.8 Packing and Labelling of Exhibits

Exhibitors must ensure that all items to be sent to the venue are suitably packed for transport up to their arrival at the stands. The use of strong packing materials that can also be reused for the return shipment is strongly recommended.

All items must be labelled clearly with name of the exhibition - ITMA ASIA + CITME, Singapore 2025, exhibiting company's name, hall and stand number. It is recommended that any item made of raw wood be fumigated or heat-treated and marked accordingly.

B20.9 Cranes, Forklift Trucks, Exhibition Goods, Packaging and Goods Consignments

Exhibitors are not entitled to designate the SG25 Service Team as the consignee for goods consignments (exhibition goods, stand-building materials, information material etc) or any other consignments that are meant for the exhibitors or a third party, except if the goods are meant for the SG25 Service Team.

No claims can be asserted against the Organiser to the effect that it accepted such consignments without checking their condition and completeness, did not check the cargo and forwarding agent invoices issued or did not store or keep the given goods correctly.

Only cranes, forklift trucks and work platforms supplied by the Organiser's authorised service partners may be used. In special cases, the approval of the SG25 Service Team must be sought.

Exhibitors and their contractors are strictly forbidden from using their own forklift trucks and any other kind of hoisting equipment. Provision of forklift trucks, cranes, etc. will be carried out exclusively by the OLC. The only exception is the use of hand pallet trucks, which may be used on the stands only.

Any plant machinery such as lifting and hoisting equipment, booked from the OLC, should be utilised in accordance with the booked service and returned as soon as the service is completed. The OLC reserves the right to remove any hired machinery or equipment if not in use or idle for a period longer than 2 hours.

Exhibitors should also note that under no circumstances is it permitted to unload and load vehicles containing goods by hand (manpower) and/or use pallet trucks instead of the OLC. This task is the sole responsibility of the OLC. All goods, including stand fitting material must be suitably palletised or crated to allow for unloading/reloading by forklift or crane.

However, vans and trucks with tail-lifts can be allowed into the venue for unloading of lightweight items, up to 15 kg by hand. Examples of such items are flowers and plants, working tools, paint, carpets, posters, brochures or other marketing collaterals, audio and video equipment, computers and furniture.

All vehicles must leave the halls, and loading and unloading areas immediately after goods have been loaded/unloaded.

B20.10 Return Shipments

Exhibits will only be permitted to leave the exhibition grounds once exhibitors have paid all outstanding invoices in full. The co-ordination of the collection of all goods will be carried out exclusively by the OLC. The same procedure that applies during the stand build-up period applies during the stand dismantling period.

The OLC's responsibility and liability start from the taking over of the packed, crated or skidded items at the stand and end when the goods are loaded onto the exhibitors' transport vehicles.

B21 Storage of Demonstration Goods and Stand Supplies

B21.1 Secure Storage of Demonstration Materials

Secure storage areas can be ordered through the LIFT ordering platform for storage of demonstration goods (auxiliary equipment, raw materials etc). Quantities and types of packing materials must be included on the online service order platform to ensure that appropriate handling equipment is available.

Raw materials used during demonstrations may only be stored on the stands in limited daily quantities.

B21.2 Private Storage and Storage of Flammable Materials

Flammable materials for demonstration such as cotton bales, yarns and other textile products are only permitted at the stand in the quantity needed for that day as declared in the online service order platform. The rest must be stored outside the halls.

B21.3 Stand Deliveries During the Exhibition Period

Delivery of goods from the storage areas to the exhibitor's stand is provided by the OLC for goods stored in the secure storage areas and from exhibitors' private storage areas. This service (General Regulations Article A11.9) should be ordered through the LIFT ordering platform.

Deliveries from OLC are between 0800 and 1000 hours and 1800 and 2000 hours daily and between 0800 and 1000 hours (on 31 October). Exhibitors must notify the OLC of their delivery requirements by 1200 hours on the day concerned. Access to storage areas is limited to badge holders only.

B21.4 Removal of Demonstration Fabric Waste Materials

Only fabric waste generated during demonstrations can be collected and removed from the stand from 0800 - 1000 hours and 1800 - 2000 hours during the exhibition period. Any change in removal arrangements must be requested to the OLC one day in advance.

B22 Insurance

The Organiser will arrange the insurance policies listed here below.

1. All Risk Policy (**) for direct property damages to properties owned and/or used and/or held by the exhibitors (*) and caused by any accidental event while they are physically located in the area where ITMA ASIA + CITME, Singapore 2025 is held ("Insured Event"). This All-Risk Policy insurance does not cover:
 - a. personal properties of exhibitors and their employees
 - b. company-owned mobile phones, laptops, computers, etc.
 - c. any damage caused during the transportation of exhibits from their point of origin to the venue and return. Exhibitors are recommended to take up their own insurance for their equipment prior to arriving at the Venue and after leaving the Venue
 - d. any delay in the building-up and delivery of services to the exhibitors and/or any damages caused by such delays, consequential damages, lost profits/revenue or losses of the market in general although resulting from an insured event
 - e. terrorism, acts of terrorists or people acting for political purposes
 - f. mechanical failures and electrical failures in general
 - g. dishonesty, fraudulent action, trick device or other false pretence
 - h. cyber-related risk
2. General Liability Policy (**) to protect the Organisers and the exhibitors (*) against third-party liability claims for accidental bodily injuries and accidental property damages at the Venue during ITMA ASIA + CITME, Singapore 2025.

All exhibitors will have to return, by the requested deadline, the insurance service forms to apply to the above policies. Exhibitors who fail to meet the deadline will not be covered by the above policies and will be obliged, before accessing the Venue, to provide them at its own expense.

The exhibitor shall not be entitled to require the Organisers any amount that exceeds the amount insured and/or received as indemnity from the Insurers. The Organisers shall not cover any compensation and/or consequential loss. Policy deductibles shall be borne by the exhibitor whilst seeking indemnity from the insurers.

The exhibitor shall waive the rights of subrogation to claim compensation and/or consequential loss from the Organisers, the Venue and any third party in any way involved in the organisation of the exhibition.

The exhibitor shall take up and maintain adequate accident/worker's compensation/employer's liability, i.e. insurance to cover all liabilities to its employees.

(*) It will not cover exhibitors coming from countries subject to any sanction, prohibition or restriction under United Nations resolutions or the trade or economic sanctions, laws or regulations of the European Union or United Kingdom or United States of America.

(**) Insurers and policy conditions will be under standard terms and conditions in the market and will be provided by the Organiser at www.itmaasiasingapore.com by 1 March 2025 at the online Exhibitor Centre.

B23 Extent of Liability

If the exhibitors or their appointed stand contractors do not comply with the stand construction regulations stipulated in the General Regulations, they are liable for any damage resulting from the violation of these regulations.

The exhibitors or their appointed stand contractors agree to exempt CEMATEX, the Chinese Party, the Organisers and the Venue from all claims by third parties that may be asserted due to violation of the General Regulations.



ITMA ASIA + CITME

SINGAPORE 2025

28 – 31 October 2025
Singapore Expo



ANNEX III

INTELLECTUAL PROPERTY SERVICE REGULATION

Available From 27 March 2025 (See General Regulations Article 17.4)